



## Brochure

Nexis<sup>®</sup> compressive screws  $\varnothing$  5 / 7 mm



- . Cannulated, **self-drilling** & helical **self-tapping**
- . **Hexalobe** recess headless screws
- . **Optimized positioning:**  
targeting & parallel guide

# nexis<sup>®</sup>

Cannulated Screws

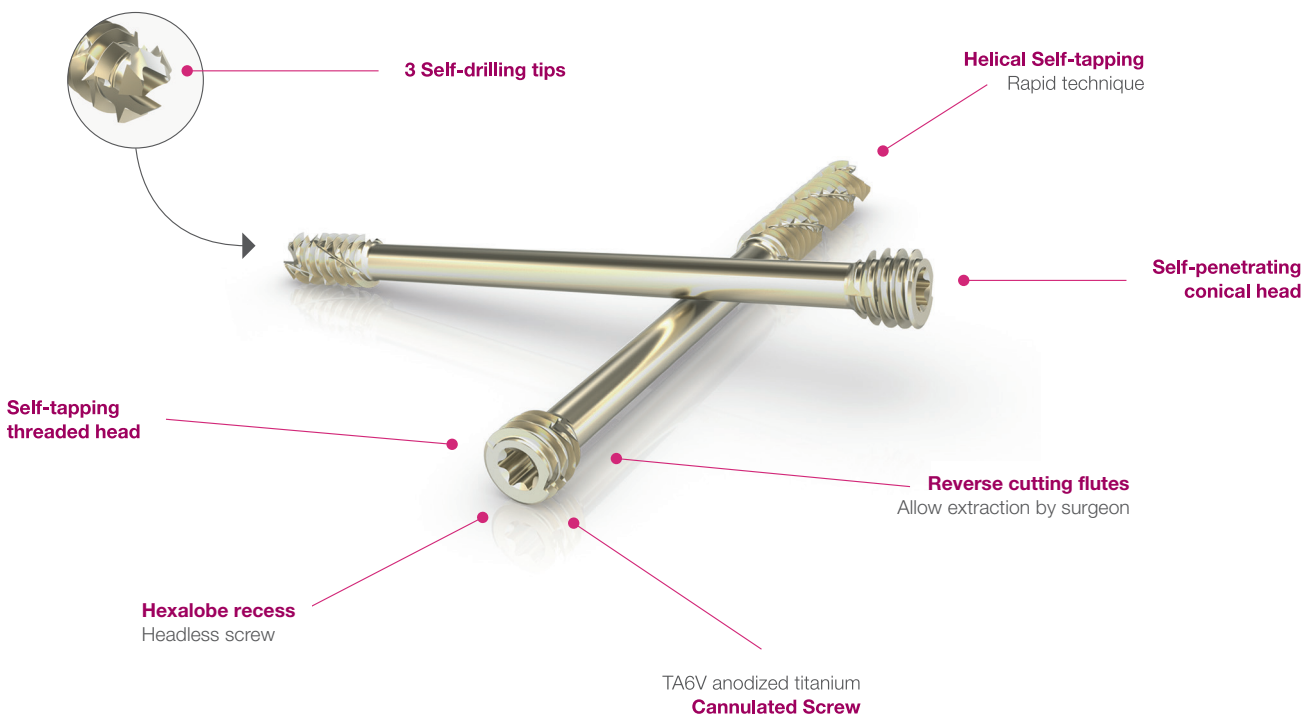
The Nexis<sup>®</sup> Ø5 and Ø7 mm cannulated, self-drilling and self-tapping compressive screws, made of Titanium alloy, are designed to address midfoot and rearfoot indications.

Designed in partnership with an international panel of foot and ankle specialists, the Nexis<sup>®</sup> range offers **stable fixation**, a **substantial range of lengths**, and **rapid insertion features**.

It is available with a **targeting guide** which allows for accurate and reliable K-wire placement.

## Nexis<sup>®</sup> Ø5 / Ø7 mm: The midfoot & rearfoot solution

### Key features



### Nexis<sup>®</sup> Ø5 / Ø7 range

	Ø5 nexis	Ø7 nexis
<b>Screwdriver Tip</b>	T20	T25
<b>Distal Thread Diameter</b>	Ø 5 mm	Ø 7 mm
<b>Distal Thread Length</b>	1/4 of the overall length	16 mm or 32 mm**
<b>Length</b>	30 - 100 mm*	40 - 120 mm***
<b>K-wire</b>	Ø 1.6 x 180 mm	Ø 2.2 x 200 mm

\* 2 mm increments up to 50 mm, then 5 mm increments.

\*\* Optional.

\*\*\* 5 mm increments.

# Nexis® instrumentation advantages

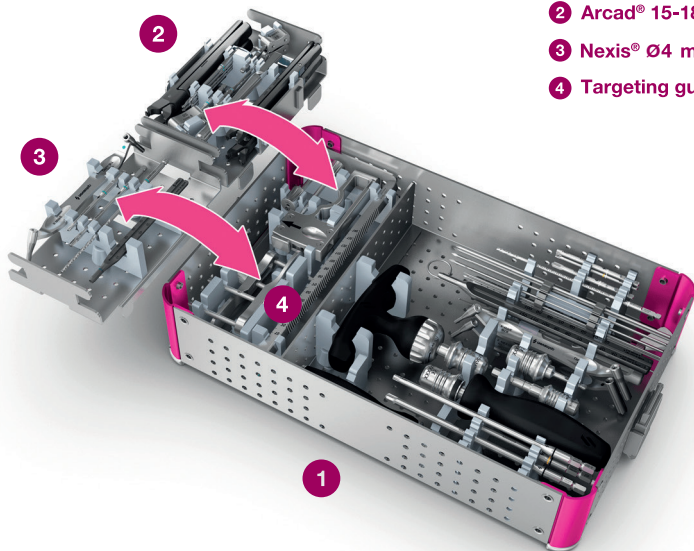
## Modular, all-inclusive solution

The instrumentation set is fully modular and customizable with several modules to meet individual surgeon requirements.

- 1 Nexis® Ø5 / Ø7 tray
- 2 Arcad® 15-18-20-25 module
- 3 Nexis® Ø4 module
- 4 Targeting guide module

These 2 modules can be incorporated together

Also available as standalone set

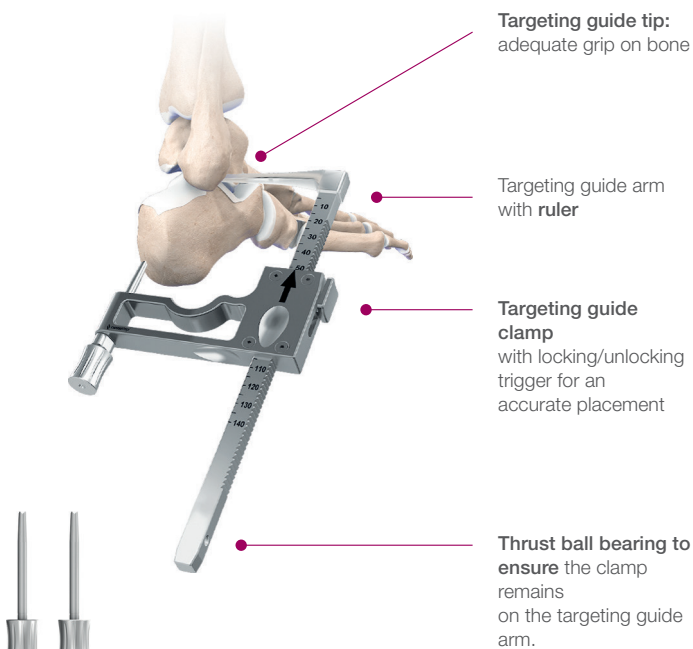


## Accurate positioning: Rearfoot targeting guide & parallel wire guide

Specifically designed for rearfoot indications, the rearfoot targeting guide and parallel wire guide allow for accurate K-wire placement. The targeting guide enable the K-wire entry and exit points positioning.

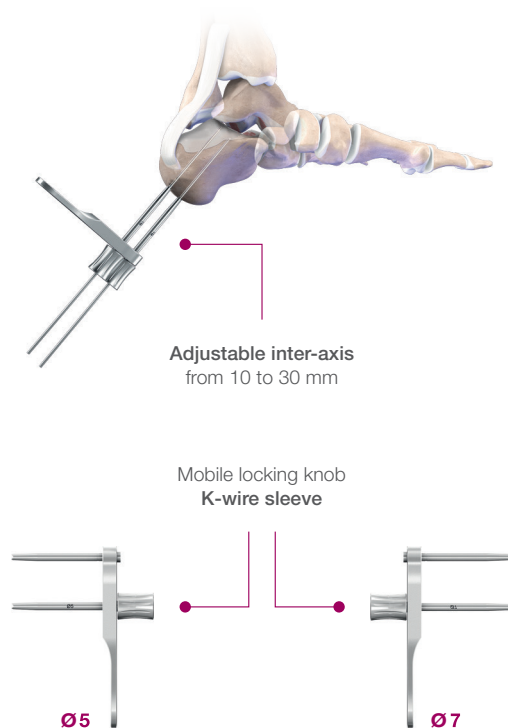
The parallel wire guide avoids any potential risk of conflict between two Nexis® Ø 5 / Ø 7 screws with a minimum inter-axis of 10 mm.

### ► Targeting guide for Nexis® Ø5 / Ø7 screws:



K-wire interchangeable mobile sleeves Ø 5 / Ø 7

### ► Parallel wire guide:



## Indications

The osteosynthesis screws are indicated for arthrosis, hallux valgus and other bone alignment defaults (pes cavus, flatfoot, malalignment secondary to previous trauma).

Example of use:

### Ø 5 mm:

- Partial or complete Lisfranc arthrodesis
- Talo-navicular fusion
- Calcaneo-cuboid fusion
- Lapidus procedure

### Ø 7 mm:

- Tibio-talar fusion
- Subtalar fusion
- Calcaneal osteotomy



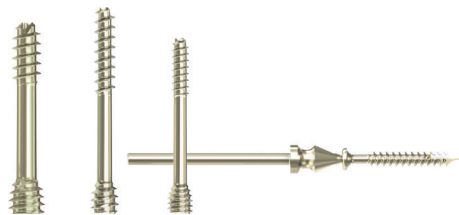
## Nexis® screws: Forefoot range

### Compressive screws

- Ø 2.3 mm, Ø 2.9 mm & Ø 4 mm
- Hexalobe self-retaining recess

### Snap-off screw

- Ø 2 mm



## References

### Nexis® screws Ø 5 mm

Length	Reference
30 to 100 mm	SC060XXX

*With XXX from 030 to 050 in 2 mm increments up to 50 mm, then from 055 to 100 in 5 mm increments.  
Ex : Nexis Ø 5 Lg 65 mm = SC060065*

### Nexis® screws Ø 7 mm

Length	Ref. short thread (16 mm)	Ref. Long thread (32 mm) - optional
40 to 120 mm	SC070XXX	SC080XXX

*With XXX from 040 to 120 in 5 mm increments.*

### K-Wires

Reference	Description
33-T10-R-16-180	K-wire Ø 1,6 Lg 180 Tr/Rd
33-T10-R-22-200	K-wire Ø 2,2 Lg 200 Tr/Rd

### Please Note:

Carefully read the enclosed Instructions For Use (IFU) and all packaging label information. Devices: Implants: Class IIb-CE1639 / Instruments: Class I / Class IIa-CE1639.

### Novastep:

2, Allée Jacques Frimot - 35000 RENNES - France  
Tel: + 33 (0) 2 99 33 86 50 / Fax: + 33 (0) 9 70 29 18 95  
contact@novastep-ortho.com / www.int.novastep.life

**Reference: Nex-Rear-L-Ed6-01-24-EN**