

nexis[®]

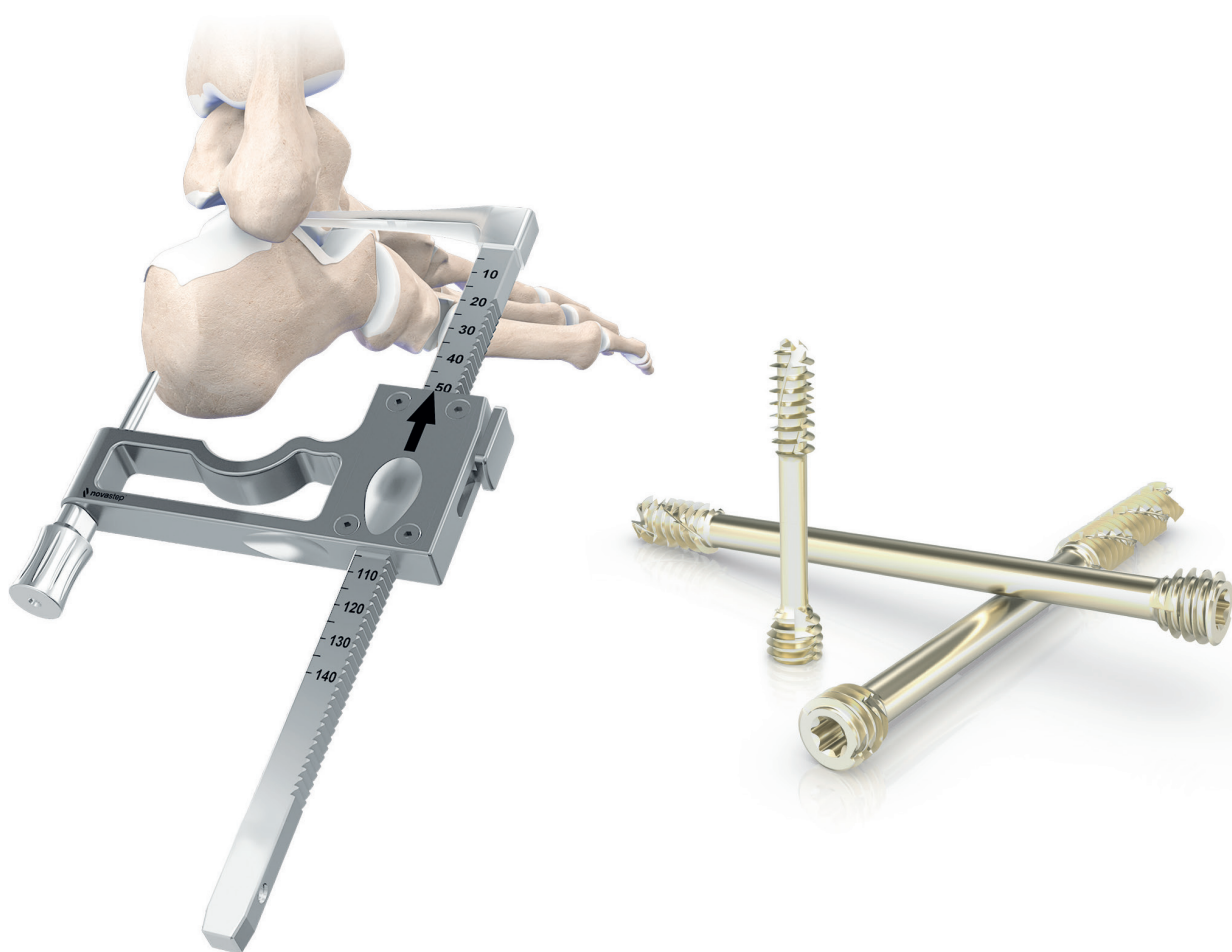
Cannulated Screws



BROCHURE

MIDFOOT
REARFOOT

Nexis[®] compressive screws \varnothing 5 / \varnothing 7 mm



- . Self-drilling & helical self-tapping
- . Hexalobe recess headless screws
- . Optimized positioning: targeting & parallel guide

*Creating
Better
Together™*

nexis[®]

Cannulated Screws

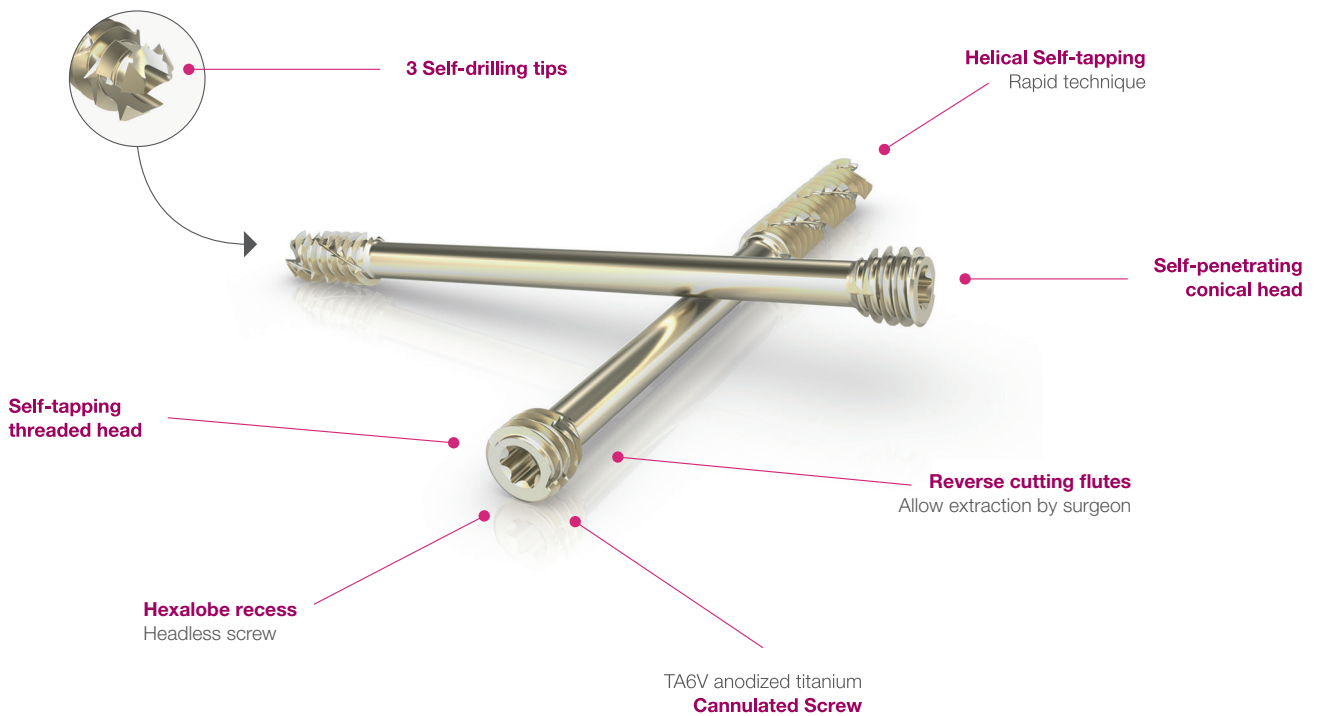
The Nexis[®] Ø 5 and Ø 7 mm cannulated, self-drilling and self-tapping compressive screws, made of Titanium alloy, are designed to address midfoot and rearfoot indications.

Designed in partnership with an international panel of foot and ankle specialists, the Nexis[®] range offers **stable fixation**, a **substantial range of lengths**, and **rapid insertion features**.

It is available with a **targeting guide** which allows for accurate and reliable K-wire placement.

Nexis[®] Ø 5 / Ø 7 mm: The midfoot & rearfoot solution

Key features



Nexis[®] Ø5 / Ø7 range

	Ø5 nexis	Ø7 nexis
Screwdriver Tip	T20	T25
Distal Thread Diameter	Ø 5 mm	Ø 7 mm
Distal Thread Length	1/4 of the overall length	16 mm or 32 mm**
Length	30 - 100 mm*	40 - 120 mm***
K-wire	Ø 1.6 x 180 mm	Ø 2.2 x 200 mm

* 2 mm increments up to 50 mm, then 5 mm increments.

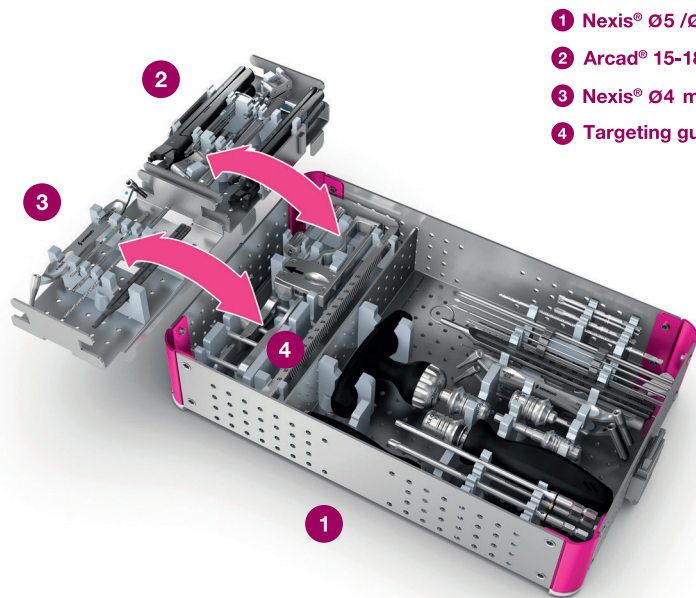
** Optional.

*** 5 mm increments.

Nexis® instrumentation advantages

Modular, all-inclusive solution

The instrumentation set is fully modular and customizable with several modules to meet individual surgeon requirements.



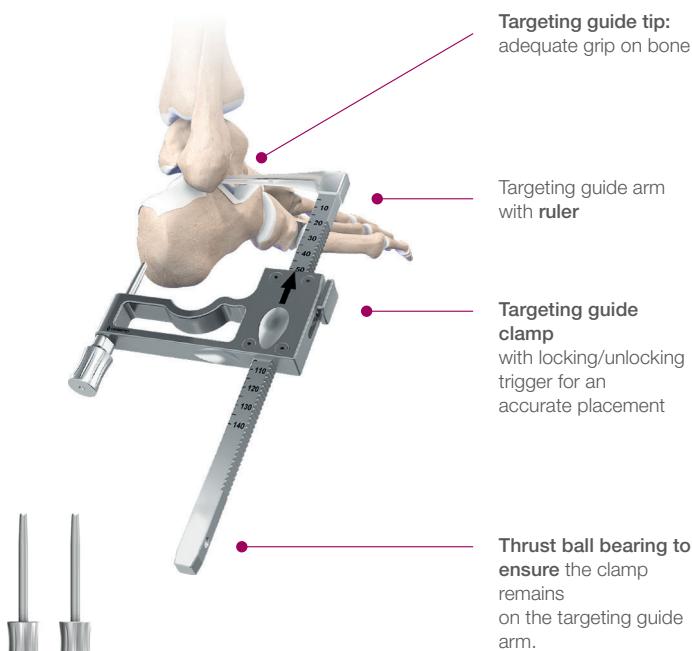
- 1 Nexis® Ø5 / Ø7 tray
 - 2 Arcad® 15-18-20-25 module
 - 3 Nexis® Ø4 module
 - 4 Targeting guide module
- These 2 modules can be incorporated together
- Also available as standalone set

Accurate positioning: Rearfoot targeting guide & parallel wire guide

Specifically designed for rearfoot indications, the rearfoot targeting guide and parallel wire guide allow for accurate K-wire placement. The targeting guide enable the K-wire entry and exit points positioning.

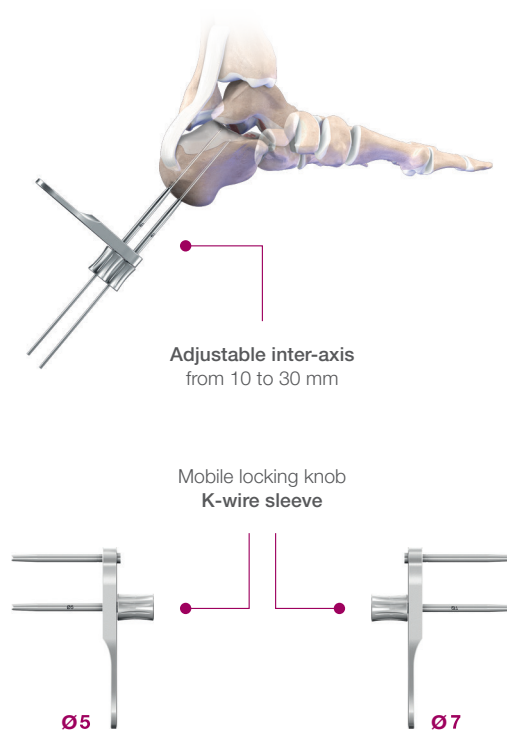
The parallel wire guide avoids any potential risk of conflict between two Nexis® Ø 5 / Ø 7 screws with a minimum inter-axis of 10 mm.

► Targeting guide for Nexis® Ø5 / Ø7 screws:



K-wire interchangeable mobile sleeves Ø 5 / Ø 7

► Parallel wire guide:



Indications

The osteosynthesis screws are indicated for arthrosis, hallux valgus and other bone alignment defaults (pes cavus, flatfoot, malalignment secondary to previous trauma).

Example of use:

Ø 5 mm:

- Partial or complete Lisfranc arthrodesis
- Talo-navicular fusion
- Calcaneo-cuboid fusion
- Lapidus procedure

Ø 7 mm:

- Tibio-talar fusion
- Subtalar fusion
- Calcaneal osteotomy



References

Nexis[®] screws Ø 5 mm

Length	Reference
30 to 100 mm	SC060XXX

*With XXX from 030 to 050 in 2 mm increments up to 50 mm, then from 055 to 100 in 5 mm increments.
Ex : Nexis Ø 5 Lg 65 mm = SC060065*

Nexis[®] screws Ø 7 mm

Length	Ref. short thread (16 mm)	Ref. Long thread (32 mm) - optional
40 to 120 mm	SC070XXX	SC080XXX

With XXX from 040 to 120 in 5 mm increments.

K-Wires

Reference	Description
CKW01004 ⁽¹⁾	K-wire Ø 1,6 Lg 180 Tr/Rd
CKW01011 ⁽²⁾	K-wire Ø 2,2 Lg 200 Tr/Rd

⁽¹⁾ Medetechnik[®] K-wire (33-T10-R-16-180) is also available depending on your market.

⁽²⁾ Medetechnik[®] K-wire (33-T10-R-22-200) is also available depending on your market.

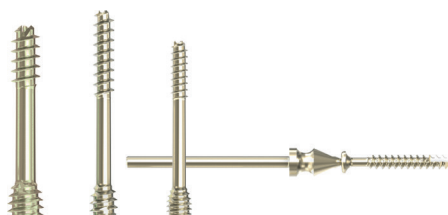
Nexis[®] screws: Forefoot range

Compressive screws

- Ø 2.3 mm, Ø 2.9 mm & Ø 4 mm
- Hexalobe self-retaining recess

Snap-off screw

- Ø 2 mm



Please note:

Carefully read the enclosed Instructions For Use (IFU) and all packaging label information. Devices: Implants: Class IIb-CE1639 / Instruments: Class I / Class Ir-CE1639 / Class IIa-CE1639.

Novastep:

2, Allée Jacques Frimot - 35000 RENNES - France
Tel. : + 33 (0) 2 99 33 86 50 / Fax : + 33 (0) 9 70 29 18 95
contact@novastep-ortho.com / www.int.novastep.life

Reference: Nex-REAR-L-Ed7-07-24-EN