

Optional Modules p2

nexis[®] 5.0 mm				
Part#	Description		QTY	
1	XSD05001		Nexis AO T20 Cannulated screwdriver tip	1
1	XSD05002		Nexis AO T20 Solid screwdriver tip	1
2	XRE01008		Nexis Ø4.9 Counterboring	1
3	XDB01009		Nexis Ø3.2 Cannulated drill bit	1
4	33-T10-R-16-180		Guide wire Ø1.6 lg 180 TR/RD	5
5	XDG01015		Nexis Ø5 Tissue protector	1
6	XHA01005		Adaptator 1/4" Hex - AO	1

nexis[®] 7.0 mm				
Part#	Description		QTY	
7	XSD06003		Nexis T25-S Cannulated screwdriver tip	1
7	XSD06002		Nexis T25 Solid screwdriver tip	1
8	XRE01009		Nexis Ø6.0 Counterboring	1
9	XDB01010		Nexis Ø4.8 Cannulated drill bit	1
10	33-T10-R-22-200		Guide wire Ø2.2 lg 200 TR/RD	5
5	XDG01016		Nexis Ø7 Tissue protector	1
12	XHA01006		Adaptator AO 1/4" Hex	1

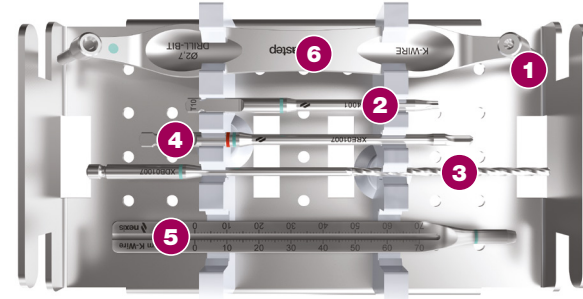
nexis[®] Universal Instruments/Trays				
Part#	Description		QTY	
11	XHA01004		T Handle 1/4" Hex Ratchet	1
13	XHA01003		Handle Straight 1/4" Hex	1
14	XGA01007		Nexis Ø5-Ø7 graduated ruler	1
15	XKW01003		Cleaning pin Ø1.6	1
16	ACC-1008P0004		Nexis Ø5-Ø7 Tray k-wires holder	1
17	ACC-1008P0001		Nexis Midfoot & Rearfoot Tray System empty	1
18	ACC-1008P0002		Nexis Midfoot & Rearfoot Tray System Lid	1
19	ACC-1008P0003		Nexis Ø5-Ø7 Tray silicone	1

nexis[®] arcad[®] Universal Instruments - Nexis 4.0/Arcad				
Part#	Description		QTY	
A	XGA01002		Gauge	1
B	XHA01001		AO Handle	1

nexis 4.0

Part#	Description	QTY
1 ACC1002P0004	Nexis 4.0 Tray	1
2 XSD04001	Nexis AO T10 Screwdriver tip	1
3 XDB01007	Nexis Ø2.7 Cannulated drill bit	1
4 XRE01007	Nexis® / PECA®-C Ø3.7 countersink	1
5 XGA01004	Nexis Ø4 Ruler	1
6 XDG01009	Nexis Double drill guide	1
C XKW01002	Cleaning wire Ø1.4	1
D XMS01001	Guide wire Tube	1
D 33-T10-R-14-100	Guide wire Ø1.4 lg 100 TR/RD	5

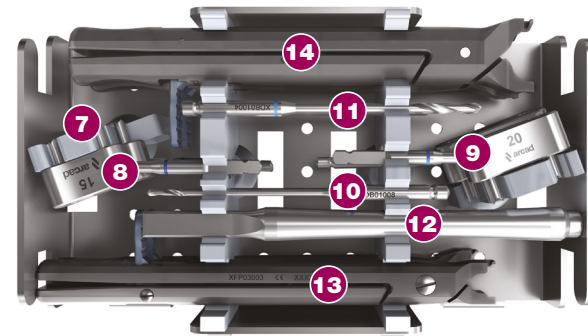
nexis Module Nexis 4.0



arcad 15-18-20-25

Part#	Description	QTY
7 ACC1005P0007	Arcad 15-18-20-25 Tray	1
8 XDG01003	Arcad 15 Drill guide	1
8 XDG01004	Arcad 18 Drill guide	1
9 XDG01005	Arcad 20 Drill guide	1
9 XDG01006	Arcad 25 Drill guide	1
10 XPP01001	Arcad Positioning Pin Ø2	2
11 XPP01002	Arcad Positioning Pin Ø3	2
12 XMS01002	Arcad Staple Impactor	1
10 XDB01008	Arcad Ø2 Drill bit	1
11 XDB01004	Arcad Ø3 Drill bit	1
13 XFP03003	Arcad 15 Forceps	1
13 XFP03004	Arcad 18 Forceps	1
14 XFP03005	Arcad 20 Forceps	1
14 XFP03006	Arcad 25 Forceps	1

arcad Module Arcad 15-18-20-25



nexis 5.0/7.0 Targeting guide

Part#	Description	QTY
15 ACC1012P1003	Nexis Targeting guide Tray	1
16 XMS01022-1	Targeting guide clamp	1
17 XMS01022-2	Targeting guide arm	1
18 XMS01022-3	Nexis 5.0 K-wire sleeve	1
19 XMS01022-4	Nexis 7.0 K-wire sleeve	1
20 XMS01023	Nexis 5.0 Parallel wire guide	1
21 XMS01024	Nexis 7.0 Parallel wire guide	1

nexis Module Nexis Targeting guide 5.0 / 7.0

