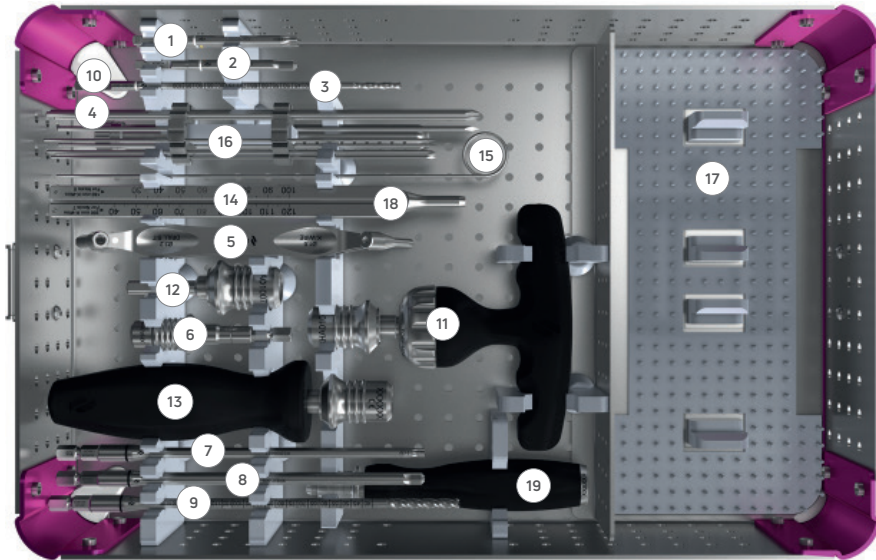


NEXIS® REARFOOT TRAY OVERHEAD GUIDE

enovis™



NEXIS® Ø5

#	DESCRIPTION	PART NO.	QTY
1	T20 AO SCREWDRIVER TIP	XSD05001	2
1	SOLID T20 AO SCREWDRIVER TIP	XSD05002	1
2	COUNTERSINK Ø4.9	XRE01008	1
3	CANNULATED DRILL BIT Ø3.2	XDB01009	1
4	K-WIRE Ø1.6 LG 180 TR/RD ⁽¹⁾	-	5
5	DOUBLE DRILL GUIDE FOR SCREW Ø5	XDG01015	1
6	ADAPTATOR 1/4" HEX - AO	XHA01005	1

⁽¹⁾K-wire supplied separately - Medetechnik® K-wire (33-T10-R-16-180) or Novastep® K-wire (CKW01004) are available depending on your market.

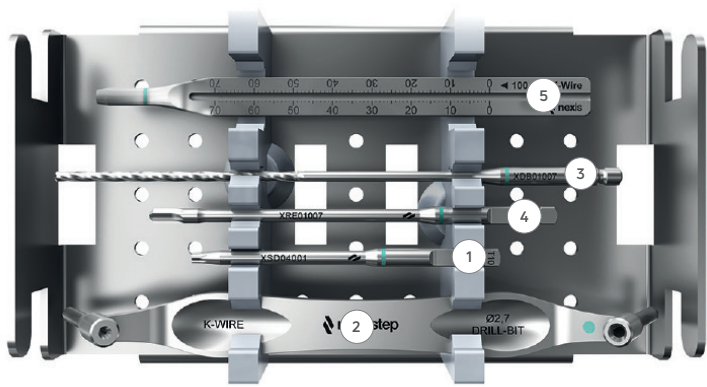
NEXIS® Ø7

#	DESCRIPTION	PART NO.	QTY
7	T25 AO SCREWDRIVER TIP	XSD06003	2
7	SOLID T25 AO SCREWDRIVER TIP	XSD06002	1
8	COUNTERSINK Ø6	XRE01009	1
9	CANNULATED DRILL BIT Ø4.8	XDB01010	1
10	K-WIRE Ø2.2 LG 200 TR/RD ⁽²⁾	-	5
5	DOUBLE DRILL GUIDE FOR SCREW Ø7	XDG01016	1
12	ADAPTATOR AO LARGE 1/4" HEX	XHA01006	1

⁽²⁾K-wire supplied separately - Medetechnik® K-wire (33-T10-R-22-200) or Novastep® K-wire (CKW01005) are available depending on your market.

UNIVERSAL INSTRUMENTATION

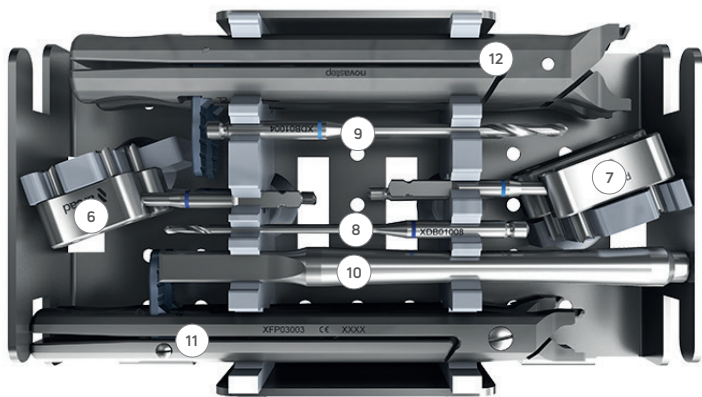
#	DESCRIPTION	PART NO.	QTY
11	LARGE AO T HANDLE RATCHET	XHA01004	1
13	LARGE AO STRAIGHT HANDLE	XHA01003	1
14	RULER LG 180/200	XGA01007	1
15	CLEANING PIN Ø 1.6	XKW01003	1
16	K-WIRE HOLDER	ACC1008P0004	1
-	TRAY	ACC1008P0001	1
-	LID	ACC1008P0002	2
17	SILICONE MAT	ACC1008P0003	1
18	DEPTH GAUGE	XGA01002	1
19	AO HANDLE	XHA01001	1



Ø4 NEXIS® MODULE

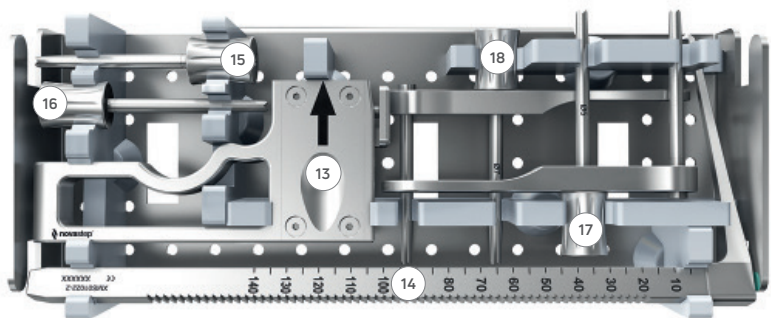
#	DESCRIPTION	PART NO.	QTY
-	MODULE	ACC1002P0004	1
1	T10 AO SCREWDRIVER TIP	XSD04001	1
2	DOUBLE DRILL GUIDE FOR SCREW Ø4	XDG01009	1
3	CANNULATED DRILL BIT Ø2.7	XDB01007	1
4	COUNTERSINK Ø3.7	XRE01007	1
5	RULER LG 100	XGA01004	1
-	CLEANING PIN Ø1.4	XKW01002	1
-	K-WIRE TUBE	XMS01001	1
-	K-WIRE Ø1.4 LG 100 TR/RD ⁽⁵⁾	-	5

⁽⁵⁾K-wire supplied separately - Medetechnik® K-wire (33-T10-R-14-100) or Novastep® K-wire (CKW01002) are available depending on your market.



ARCAD® 15-18-20-25

#	DESCRIPTION	PART NO.	QTY
-	MODULE	ACC1005P0007	1
6	DRILL GUIDE - ARCAD® 15	XDG01003	1
6	DRILL GUIDE - ARCAD® 18	XDG01004	1
7	DRILL GUIDE - ARCAD® 20	XDG01005	1
7	DRILL GUIDE - ARCAD® 25	XDG01006	1
8	POSITIONING PIN Ø2	XPP01001	2
9	POSITIONING PIN Ø3	XPP01002	2
10	IMPACTOR	XMS01002	1
8	DRILL BIT Ø2	XDB01008	1
9	DRILL BIT Ø3	XDB01004	1
11	FORCEPS - ARCAD® 15	XFP03003	1
11	FORCEPS - ARCAD® 18	XFP03004	1
12	FORCEPS - ARCAD® 20	XFP03005	1
12	FORCEPS - ARCAD® 25	XFP03006	1



NEXIS® TARGETING GUIDE

#	DESCRIPTION	PART NO.	QTY
-	MODULE	ACC1012P0003	1
13	TARGETING GUIDE CLAMP	XMS01022-1	1
14	TARGETING GUIDE ARM	XMS01022-2	1
15	K-WIRE SLEEVE - NEXIS® Ø5	XMS01022-3	1
16	K-WIRE SLEEVE - NEXIS® Ø7	XMS01022-4	1
17	PARALLEL WIRE GUIDE - NEXIS® Ø5	XMS01023	1
18	PARALLEL WIRE GUIDE - NEXIS® Ø7	XMS01024	1

enovis.

T +33 (0) 2 99 33 86 50 F + 33 (0) 9 70 29 18 95

Legal manufacturer: Novastep® S.A.S
 2 Allée Jacques Frimot | 35000 Rennes | France
 contact-intfa@enovis.com
 www.int.novastep.life
 Copyright © 2024 Enovis Foot and Ankle

Carefully read the enclosed Instructions For Use (IFU) and all packaging label information. Devices: Implants: Class IIb-CE1639 / Instruments: Class I / Class Ir-CE1639 / Class IIa-CE1639.

REFERENCE: NEX-TL01-ED8-03-26-EN