

---



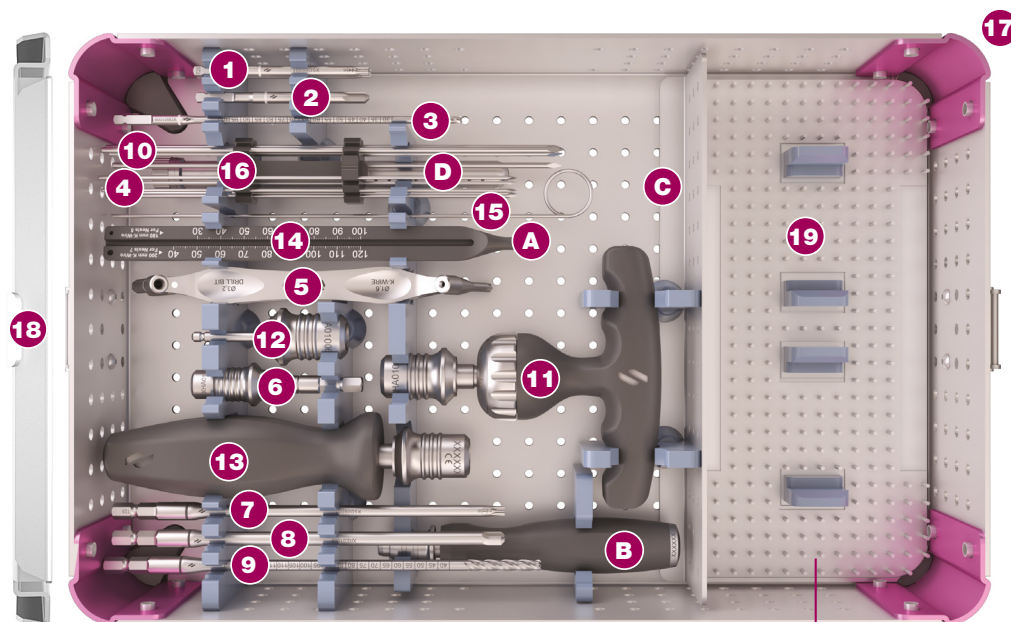
---



---



---



**Optional Modules p2**

**nexis 5 mm**

Part#	Description	QTY
1 XSD05001	T20 AO screwdriver tip	1
1 XSD05002	Solid T20 AO screwdriver tip	1
2 XRE01008	Counterboring Ø4.9	1
3 XDB01009	Cannulated drill bit Ø3.2	1
4 -	K-wire Ø1.6 lg 180 TR/RD <sup>(1)</sup>	5
5 XDG01015	Double drill guide for screw Ø5	1
6 XHA01005	Adaptator 1/4" Hex - AO	1

<sup>(1)</sup>K-wire supplied separately - Medetechnik® K-wire (33-T10-R-16-180) or Novastep® K-wire (CKW01004) are available depending on your market.

**nexis 7 mm**

Part#	Description	QTY
7 XSD06003	T25 large AO screwdriver tip	1
7 XSD06002	Solid T25 large AO screwdriver tip	1
8 XRE01009	Countersink Ø6	1
9 XDB01010	Cannulated drill bit Ø4.8	1
10 -	K-wire Ø2.2 lg 200 TR/RD <sup>(2)</sup>	5
5 XDG01016	Double drill guide for screw Ø7	1
12 XHA01006	Adaptator AO Large 1/4" Hex	1

<sup>(2)</sup>K-wire supplied separately - Medetechnik® K-wire (33-T10-R-22-200) or Novastep® K-wire (CKW01005) are available depending on your market.

**nexis Universal Instruments/Trays**

Part#	Description	QTY
11 XHA01004	Large AO T handle ratchet	1
13 XHA01003	Large AO straight handle	1
14 XGA01007	Ruler Lg 180/200	1
15 XKW01003	Cleaning pin Ø1.6	1
16 ACC1008P0004	K-wires holder	1
17 ACC1008P0001	Tray	1
18 ACC1008P0002	Lid	1
19 ACC1008P0003	Silicone mat	1

**nexis arcad Universal Instruments - Nexis 4.0/Arcad**

Part#	Description	QTY
A XGA01002	Depth gauge	1
B XHA01001	AO Handle	1

**nexis® 4 mm**

Part#	Description	QTY
<b>1</b> ACC1002P0004	Module	1
<b>2</b> XSD04001	T10 AO Screwdriver tip	1
<b>3</b> XDB01007	Cannulated drill bit Ø2.7	1
<b>4</b> XRE01007	Nexis® / PECA® - C –countersink Ø3.7	1
<b>5</b> XGA01004	Ruler Lg100	1
<b>6</b> XDG01009	Double drill guide for screw Ø4	1
<b>C</b> XKW01002	Cleaning pin Ø1.4	1
<b>D</b> XMS01001	K-wire Tube	1
<b>D</b> -	K-wire Ø1.4 lg 100 TR/RD <sup>(3)</sup>	5

<sup>(3)</sup>K-wire supplied separately - Medetechnik® K-wire (33-T10-R-14-100) or Novastep® K-wire (CKW01002) are available depending on your market.

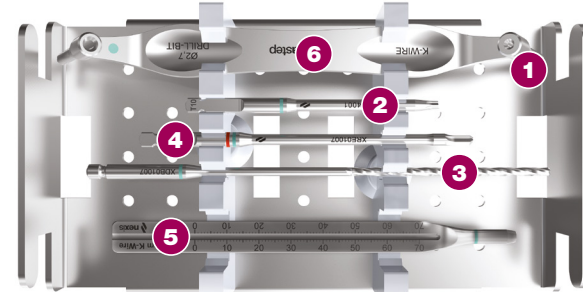
**arcad® 15-18-20-25**

Part#	Description	QTY
<b>7</b> ACC1005P0007	Module	1
<b>8</b> XDG01003	Drill guide – Arcad® 15	1
<b>8</b> XDG01004	Drill guide – Arcad® 18	1
<b>9</b> XDG01005	Drill guide – Arcad® 20	1
<b>9</b> XDG01006	Drill guide – Arcad® 25	1
<b>10</b> XPP01001	Positioning Pin Ø2	2
<b>11</b> XPP01002	Positioning Pin Ø3	2
<b>12</b> XMS01002	Impactor	1
<b>10</b> XDB01008	Drill bit Ø2	1
<b>11</b> XDB01004	Drill bit Ø3	1
<b>13</b> XFP03003	Forceps – Arcad® 15	1
<b>13</b> XFP03004	Forceps – Arcad® 18	1
<b>14</b> XFP03005	Forceps – Arcad® 20	1
<b>14</b> XFP03006	Forceps – Arcad® 25	1

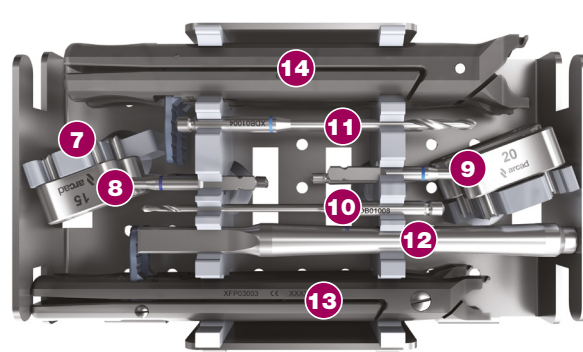
**nexis® 5/7 Targeting guide**

Part#	Description	QTY
<b>15</b> ACC1012P1003	Module	1
<b>16</b> XMS01022-1	Targeting guide clamp	1
<b>17</b> XMS01022-2	Targeting guide arm	1
<b>18</b> XMS01022-3	K-wire sleeve – Nexis® Ø5	1
<b>19</b> XMS01022-4	K-wire sleeve – Nexis® Ø7	1
<b>20</b> XMS01023	Parallel wire guide – Nexis® Ø5	1
<b>21</b> XMS01024	Parallel wire guide – Nexis® Ø7	1

**nexis® Module Nexis 4**



**arcad® Module Arcad 15-18-20-25**



**nexis® Module Nexis Targeting guide 5 / 7**

