

peca-C[®]
Percutaneous Compression



BROCHURE

FOREFOOT
MIDFOOT

PECA[®] - C Ø 4: Beveled compressive implants



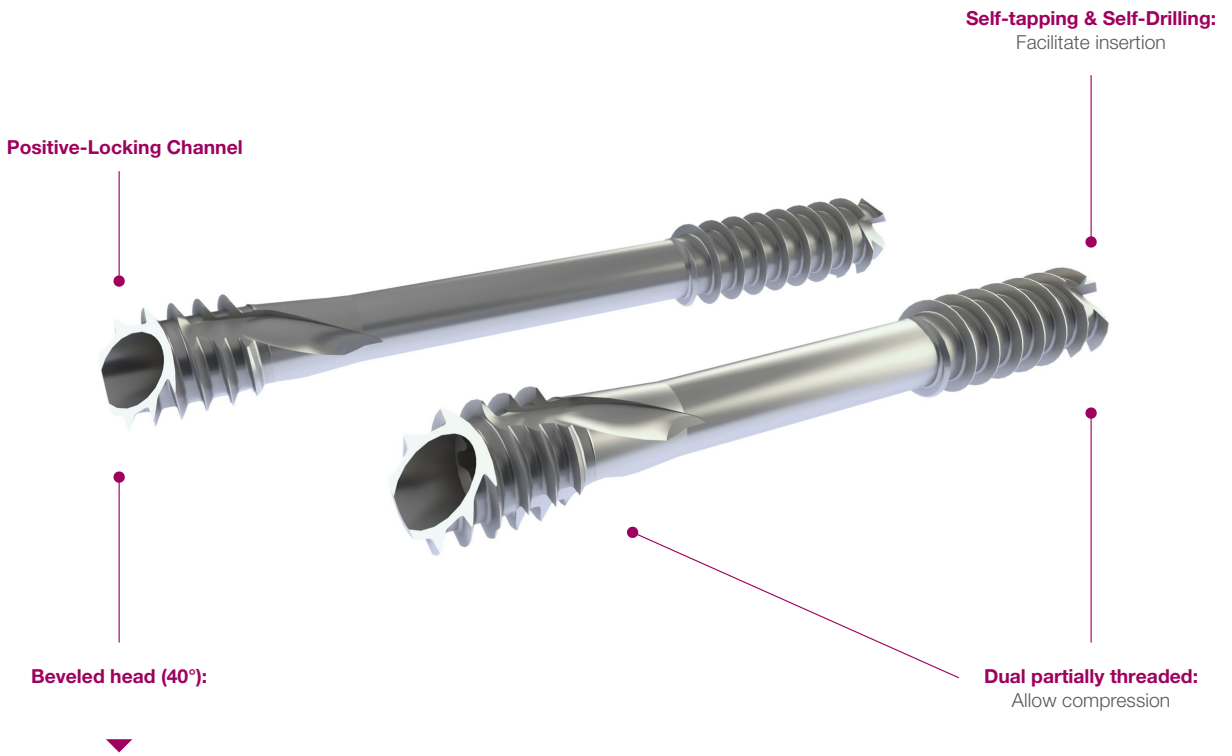
- . **Beveled head** - Cortical anchorage maximization
- . **Exact-T[®] recess** - Precision
- . **Dual partially threaded** - Compression

*Creating
Better
Together*[™]

Peca[®] Compressive Implants were intended for the fixation of osteotomy and arthrodesis of the foot. The implant is equipped with a **beveled head** and partially threaded cutting flutes allow compression by seating flush with the near cortex, preserving soft tissue structures.

Key features

Cannulated implant titanium alloy TA6V ELI



Beveled head:
Cortical anchorage maximization and soft tissues preservation

vs

Standard head:
Compromise between burial of the head and cortical anchorage

Exact-T[®] recess:
Allows Exact beveled implant head positioning. The driver allows an exact positioning of the screwdriver tip in one position only.

Exact-T[®]10 AO screwdriver tip

Visual guide



PECA[®] Compressive implants are available in Ø 4 mm and in lengths of 18 to 60 mm (with 2 mm increments up to 50 mm, then 5 mm increments).

Multiple indications

PECA® Compressive screws can be used for arthrodesis in the midfoot, metatarsal and phalangeal bones of the foot, either alone or in combination with an Airlock® plate.

Traditional surgery

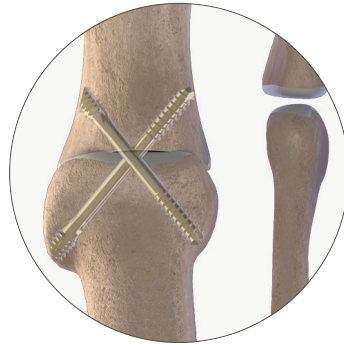


MTP

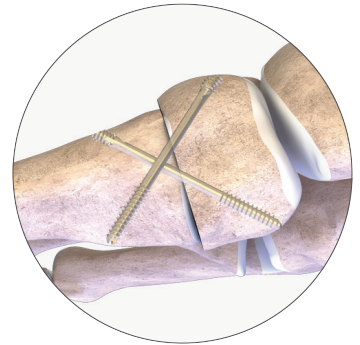


Talo-navicular

Percutaneous surgery



MTP

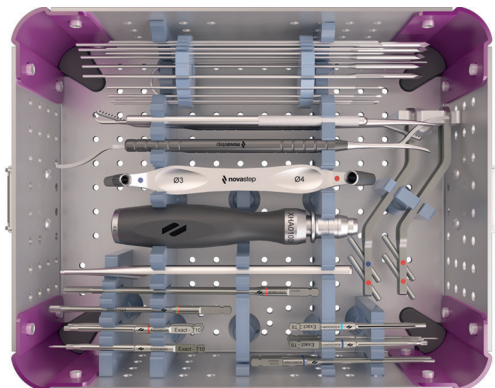


Lapidus

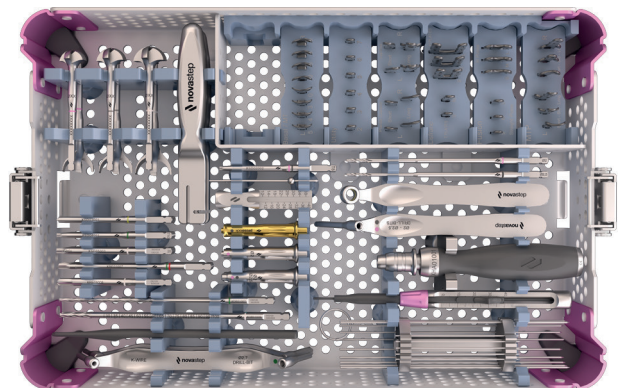
Dedicated instrumentation

- Ø 4 mm PECA® Compressive implant can be used:
- . With PECA® set, with the optional addition of a countersink;
 - . With AIRLOCK® set, with the addition of PECA® Compressive instruments.

PECA® Set



AIRLOCK® Set



References

PECA[®]-C implants



Length (mm)	Reference
18 mm	PS050118
20 mm	PS050120
22 mm	PS050122
24 mm	PS050124
26 mm	PS050126
28 mm	PS050128
30 mm	PS050130
32 mm	PS050132
34 mm	PS050134
36 mm	PS050136
38 mm	PS050138
40 mm	PS050140
42 mm	PS050142
44 mm	PS050144
46 mm	PS050146
48 mm	PS050148
50 mm	PS050150
55 mm	PS050155
60 mm	PS050160

PECA[®]-C specific instruments

Description	Reference
K-wire Ø 1.4 Lg 150 TR/RD CrCo	CKW02005 ⁽¹⁾
AO Drill bit Ø3.2	XDB01018
Exact-T [®] 10 AO screwdriver tip	XSD04004
Ruler Lg 150	XGA01009
Countersink Ø 3.7 - Nexis [®] / PECA [®] -C	XRE01007 ⁽²⁾

⁽¹⁾K-wire supplied separately

⁽²⁾Optional

Indications

The osteosynthesis screws are indicated for arthrosis, hallux valgus and other bone alignment defaults (pes cavus, flatfoot, calcaneal valgus, malalignment secondary to previous trauma).

Examples of post-operative X-Rays - MTP arthrodesis



Please note:

Carefully read the enclosed Instructions For Use (IFU) and all packaging label information. Devices: Implants: Class IIb-CE1639 / Instruments: Class I / Class Ir-CE1639 / Class IIa-CE1639.

Novastep:

2, Allée Jacques Frimot - 35000 RENNES - France
Tel.: + 33 (0) 2 99 33 86 50 / Fax: + 33 (0) 9 70 29 18 95
contact@novastep-ortho.com / www.int.novastep.life

Reference: PECA-C-L-Ed1-07-24-EN