



enovis™

# FOOT & ANKLE SOLUTIONS

INTERNATIONAL  
PRODUCT  
CATALOGUE

**REDEFINING EVERY STEP**

We're redefining the way you choose a partner. With technologies that deliver results, training that builds confidence, and a partnership that goes beyond the product, we're Redefining Every Step.



**Table of Contents**

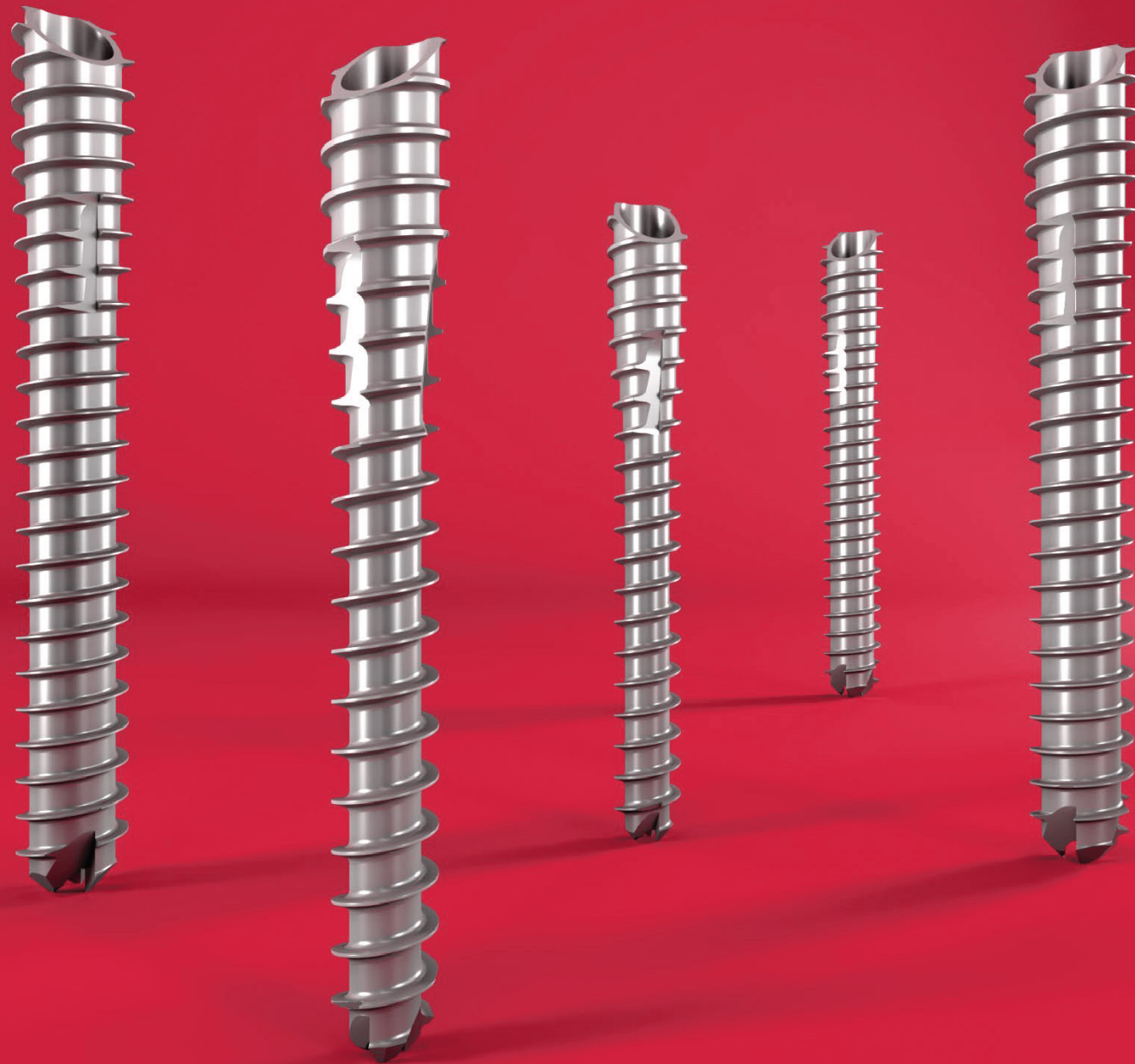
PECA®	6
PECA® Implants	7
PECA® Instruments	8
PECAPLASTY® WIRES FIRST	10
Instruments Pecaplasty® Wires First	11
PECAPLASTY®	12
Pecaplasty® Instruments	13
TARSOPLASTY®	14
Tarsoplasty® Instruments	15
PECA®-COMPRESSIVE	16
PECA®-Compressive Implants	17
PECA®-Compressive Instruments	17
PERCUTANEOUS BURRS	18
Percutaneous Burrs	19
NEXIS® MIS	20
Nexis® MIS Screws	21
Nexis® MIS Instruments	22
NEXIS®	24
Nexis® Forefoot Screws	25
Nexis® Rearfoot Screws	26
Nexis® Forefoot Instruments	27
Nexis® Rearfoot Instruments	30
CENTROLOCK®	34
Centrolock® Implants	35
Centrolock® Instruments	36
AIRLOCK® FOOT PLATING SYSTEM	38
Airlock® Plates	40
Airlock® Screws	41
Airlock® Instruments	42
AIRLOCK® ANKLE PLATING SYSTEM	46
Airlock® Ankle Plates	48
Airlock® Ankle Screws	48
Airlock® Ankle Instruments	50
LYNC®	52
Lync® Implants	53
Lync® Instruments	53

## Table of Contents

<b>ARCAD®</b> .....	<b>54</b>
<b>Arcad® Staples</b> .....	<b>55</b>
<b>Arcad® Instruments</b> .....	<b>56</b>
<b>STATIC STAPLES</b> .....	<b>58</b>
<b>Static Staples</b> .....	<b>59</b>
<b>Static Staple Instruments</b> .....	<b>59</b>
<b>OTHER®</b> .....	<b>60</b>
<b>K-Wires</b> .....	<b>61</b>
<b>Implant Dispenser</b> .....	<b>62</b>
<b>Single Use Instrument Kit</b> .....	<b>62</b>
<b>Optional Instrumentation</b> .....	<b>63</b>

Some implants / instruments are not available in all territories. For more information, please contact your local sales representative.

# Peca®



## Peca® Implants

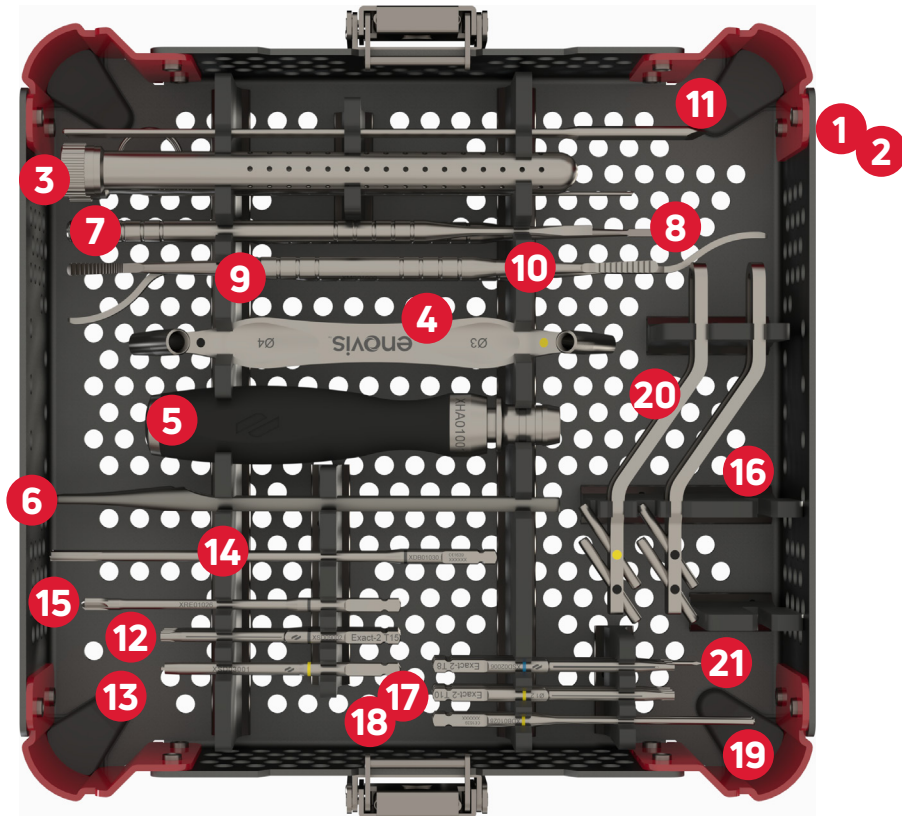
The PECA® Implant System, in titanium alloy, is designed for percutaneous bunion correction and comes in Ø3 and Ø4mm options. The system provides a complete and versatile portfolio of beveled fully threaded implants intended for the fixation of osteotomy and arthrodesis of the foot.

The Exact2-T Recess provides precision in fluoro percutaneous implant positioning. It allows for removal with standardized instrumentation.

The PECA® set combines specific instrumentation for PECA® implant and percutaneous instrumentation including periosteal elevator rasp, reduction device, beaver blade holder for percutaneous surgery.

### ORDERING INFORMATION

LENGTH (MM)	Ø3 BUNION IMPLANT	Ø4 BUNION IMPLANT
16	PS070016	-
18	PS070018	-
20	PS070020	-
22	PS070022	-
24	PS070024	-
26	PS070026	PS060026
28	PS070028	PS060028
30	PS070030	PS060030
32	PS070032	PS060032
34	PS070034	PS060034
36	PS070036	PS060036
38	PS070038	PS060038
40	PS070040	PS060040
42	PS070042	PS060042
44	PS070044	PS060044
46	PS070046	PS060046
48	PS070048	PS060048
50	-	PS060050
52	-	PS060052
54	-	PS060054
56	-	PS060056
58	-	PS060058
60	-	PS060060



PERCUTANEOUS INSTRUMENTS

NO.	PART NO.	DESCRIPTION	QTY
1	ACC1001P0022	TRAY	1
2	ACC1001P0024	LID	1
3	XMS01001	K-WIRE TUBE	1
-	CKW03001	REDUCTION WIRE Ø3.5	5 <sup>(3)</sup>
-	CKW01015 <sup>(1)</sup>	K-WIRE Ø1.2 LG150 TR/RD	5 <sup>(3)</sup>
-	CKW01003 <sup>(2)</sup>	K-WIRE Ø1.6 LG150 TR/RD	8 <sup>(3)</sup>
-	XKW01001	CLEANING PIN Ø0.9	1
-	XKW01002	CLEANING PIN Ø1.4	1
4	XDG01033	TISSUE PROTECTOR – PECA®	1
5	XHA01001	AO HANDLE	1
6	XGA01009	RULER LG 150 - PECA®	1

UNIVERSAL INSTRUMENTS

NO.	PART NO.	DESCRIPTION	QTY
7	-	FINE SURGICAL HANDLE <sup>(4)</sup>	1
8	XMS01011	PERIOESTAL ELEVATOR SINGLE TIP	1
9	XMS01008	PERIOESTAL ELEVATOR DOUBLE TIP	1
10	XMS01009	PERCUTANEOUS RASPS	1
11	XMS01027	REDUCTION DEVICE DOUBLE TIP	OPT.

(1) K-wire supplied separately - Medetechnik® K-wire (33-T10-R-12-150) or Novastep® K-wire (CKW01015) are available depending on your market.  
 (2) K-wire supplied separately - Medetechnik® K-wire (33-T10-R-16-150) or Novastep® K-wire (CKW01003) are available depending on your market.  
 (3) Maximum quantity of K-wire holder  
 (4) Reference SF13 supplied separately. Availability depending on your market.  
 (5) K-wire supplied separately - Medetechnik® K-wire (33-T10-R-12-100) or Novastep® K-wire (CKW01014) are available depending on your market.

Ø4 INSTRUMENTS

NO.	PART NO.	DESCRIPTION	QTY
12	XSD09002	EXACT2-T15 AO SCREWDRIVER TIP	2
13	XSD09001	REMOVAL T15 AO SCREWDRIVER TIP	OPT.
14	XDB01030	AO DRILL-BIT Ø3.2	2
15	XRE01026	COUNTERSINK Ø3.7	1
16	XDG01034	PARALLEL GUIDE Ø4-Ø4	OPT.

Ø3 INSTRUMENTS

NO.	PART NO.	DESCRIPTION	QTY
17	XSD10002	EXACT2-T10 AO SCREWDRIVER TIP	1
18	XSD10001	REMOVAL T10 AO SCREWDRIVER TIP	OPT.
19	XDB01028	AO DRILL-BIT Ø2	2
20	XDG01035	PARALLEL GUIDE Ø3-Ø4	OPT.

NEXIS® MIS Ø2.7 INSTRUMENTS

NO.	PART NO.	DESCRIPTION	QTY
21	XSD02006	EXACT-2 T8 AO SCREWDRIVER TIP	2
-	XGA01013	RULER LG 100/150	OPT.
-	-	K-WIRE Ø1.2 LG100 TR/RD <sup>(5)</sup>	OPT.
-	-	K-WIRE Ø1.2 LG150 TR/RD <sup>(5)</sup>	OPT.

Ordering Information

PART NO.	DESCRIPTION
CRE12008	SHANNON CORTA Ø2 LG 8

PART NO.	DESCRIPTION
CRE13020	SHANNON LARGA Ø3 LG 20

PART NO.	DESCRIPTION
CRE12012	SHANNON RECTA Ø2 LG 12

PART NO.	DESCRIPTION
CRE13030	SHANNON X-LARGA Ø3 LG 30

PART NO.	DESCRIPTION
CRE12212	SHANNON HELICAL Ø2 LG 12

PART NO.	DESCRIPTION
CRE23113	WEDGE Ø3.1 LG 13

PART NO.	DESCRIPTION
CRE12222	SHANNON LONGA Ø2.2 LG 22

PART NO.	DESCRIPTION
CRE24113	WEDGE Ø4.1 LG 13



# Pecaplasty® Wires First™

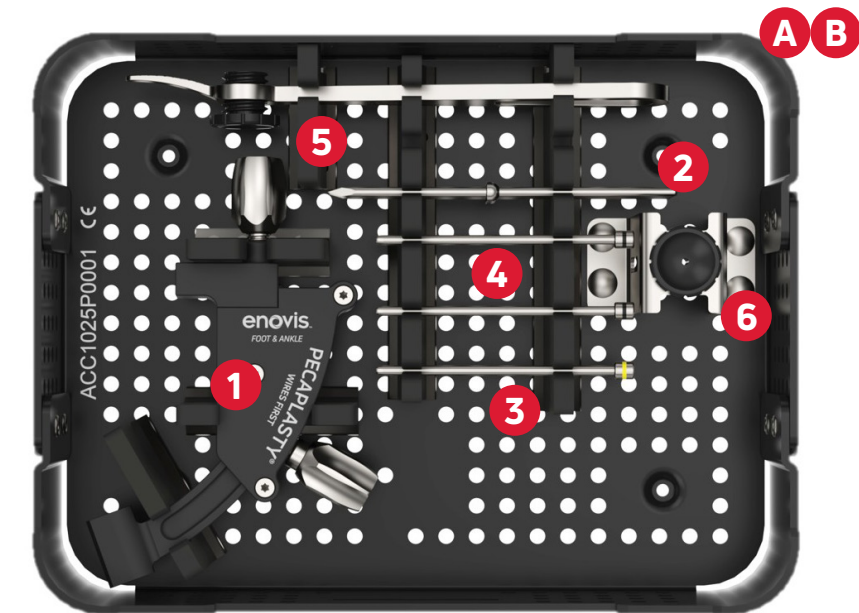


## Pecaplasty® Wires First™ Targeting Guide

The Pecaplasty® Wires First system allows for simple, precise, and reproducible correction of Hallux Valgus in percutaneous surgery. With its easy positioning on the foot, the Pecaplasty® targeting guide allows for an accurate K-wire placement before osteotomy, and then a controlled translation of the metatarsal head.

PECA® implants are used to fix and stabilize the correction.

## Pecaplasty® Wires First™ Instruments



#	RÉFÉRENCE	DESCRIPTION	QTÉ
A	ACC1025P0001	TRAY	1
B	ACC1025P0002	LID	1
1	XMS01050	TARGETING GUIDE 2.0 WIRES FIRST™	1
2	CKW09001	POSITIONING PIN	1
3	XDG01037	SLEEVE - PECA® Ø3	1
4	XDG01036	SLEEVE - PECA® Ø4	2
5	XMS010551	HEAD SHIFTING DEVICE	1
6	XMS01055-2	ADJUSTABLE OFFSET	2



# Pecaplasty®

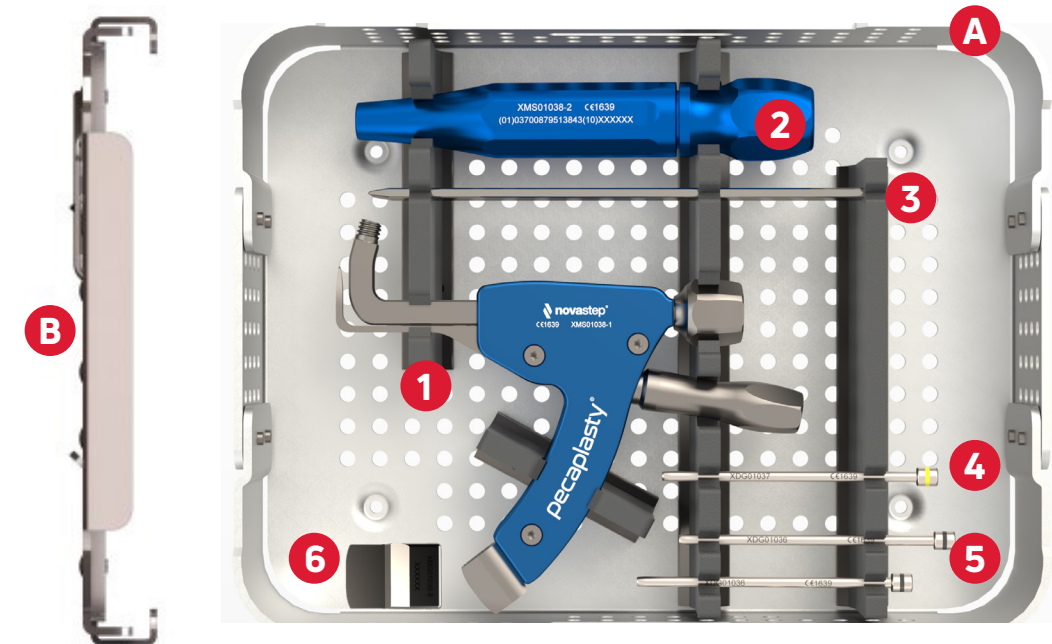


## Pecaplasty® Targeting Guide

The Pecaplasty® system allows for simple, precise, and reproducible correction of Hallux Valgus in percutaneous surgery. With its easy positioning on the foot, the Pecaplasty® targeting guide allows controlled translation of the metatarsal head and accurate K-wire placement.

PECA® implants are used to fix and stabilize the correction

## Pecaplasty® Instruments

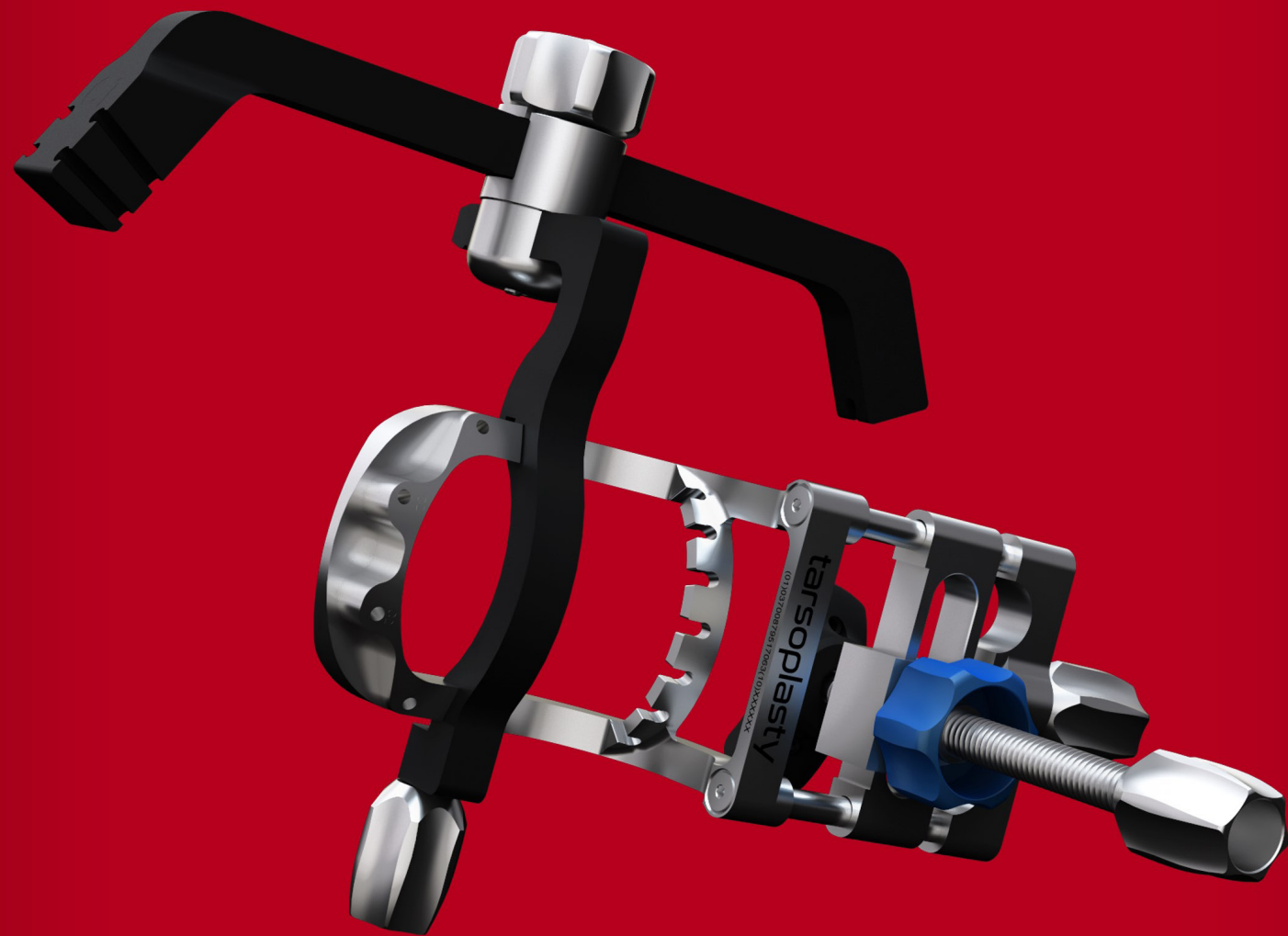


NO.	PART NO.	DESCRIPTION	QTY
A	ACC1019P0001	TRAY	1
B	ACC1019P0002	LID	1
1	XMS01038-1	TARGETING GUIDE	1
2	XMS01038-2	WIRE HANDLE FOR TARGETING GUIDE	1
3	SKW06002 <sup>(1)(2)</sup>	TRACTION WIRE Ø2.5 LG 128 - STERILE	5
4	XDG01037	K-WIRE SLEEVE - PECA® Ø3	1
5	XDG01036	K-WIRE SLEEVE - PECA® Ø4	2
6	XMS01038-8	TARGETING GUIDE ADAPTOR	1

(1) Reference supplied separately

(2) Non sterile traction wire is also available (Ref: CKW06002)

# Tarsoplasty®

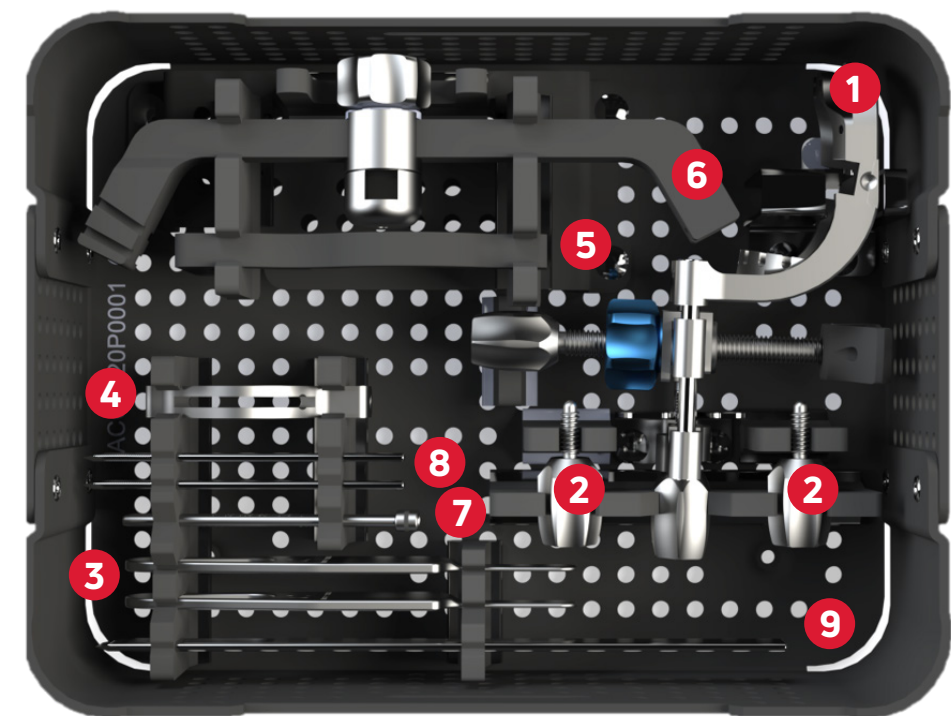


## Tarsoplasty® Guide

The Tarsoplasty® system allows guided and controlled Lapidus for simple, precise and reproducible correction of Hallux valgus in percutaneous surgery.

Associated with PECA® and PECA® Compressive implants, the Tarsoplasty® system ensures triplanar correction and stable construction to restore desired alignment of the first metatarsal.

## Tarsoplasty® Instruments



### TARSOPLASTY INSTRUMENTATION

NO.	PART NO.	DESCRIPTION	QTY
	ACC1020P0001	TRAY	1
	ACC1020P0002	LID	1
1	XMS01041-1	CORRECTION GUIDE	1
2	XMS01041-6	LOCKING WHEEL	2
3	XMS01041-2	FEELER	2
4	XMS01041-4	BURR WINDOW	1
5	XMS01041-5	TARGETING ARM	1
6	XMS01041-3	TARGETING GUIDE	1
7	XDG01036	PECA2.0 Ø4 SLEEVE	2

### K-WIRES

NO.	PART NO.	DESCRIPTION	QTY
8	SKW05006	THREADED K-WIRE Ø2.2 LG 70 TR/RD - STERILE	5
9	SKW01022	K-WIRE Ø1.8 LG 140 TR/RD - STERILE	3

# Peca® Compressive



## Peca® Compressive Implants

PECA® Compressive Ø4 Implants in titanium alloy are intended for the fixation of osteotomy and arthrodesis of the fore- and midfoot. The implant is equipped with a beveled head, and partially threaded cutting flutes allow compression by seating flush with the near cortex, preserving soft tissue structures.

These implants can be implanted alone or in association with Airlock® plate.

The PECA® set combines specific instrumentation for PECA® implant and percutaneous instrumentation including periosteal elevator rasp, reduction device, beaver blade holder for percutaneous surgery.

## Ordering Information

### IMPLANTS

LENGTH (MM)	Ø4 BEVELED COMPRESSIVE IMPLANT
18	PS060118
20	PS060120
22	PS060122
24	PS060124
26	PS060126
28	PS060128
30	PS060130
32	PS060132
34	PS060134
36	PS060136
38	PS060138
40	PS060140
42	PS060142
44	PS060144
46	PS060146
48	PS060148
50	PS060150
55	PS060155
60	PS060160

### INSTRUMENTS

PART NO.	DESCRIPTION
CKW01003	K-WIRE Ø1.6 LG150 TR/RD
XDB01030	DRILL BIT Ø3.2*
XSD09002	EXACT2-T15 AO SCREWDRIVER TIP *
XGA01009	RULER LG 150 - PECA®
XRE01026	COUNTERSINK Ø3.7 **

\*Available as an option in Airlock® set  
\*\* Can be added in PECA® set

# Percutaneous Burrs



## Percutaneous Burrs

Enovis™ instruments are designed specifically for minimally invasive surgery needs. Cylindrical and conical burrs are made of hardened surgical grade stainless steel.

## Ordering Information

PART NO.	DESCRIPTION
CRE12008	SHANNON CORTA Ø2 LG 8

PART NO.	DESCRIPTION
CRE12012	SHANNON RECTA Ø2 LG 12

PART NO.	DESCRIPTION
CRE12212	SHANNON HELICAL Ø2 LG 12

PART NO.	DESCRIPTION
CRE12222	SHANNON LONGA Ø2.2 LG 22

PART NO.	DESCRIPTION
CRE13020	SHANNON LARGA Ø3 LG 20

PART NO.	DESCRIPTION
CRE13030	SHANNON X-LARGA Ø3 LG 30

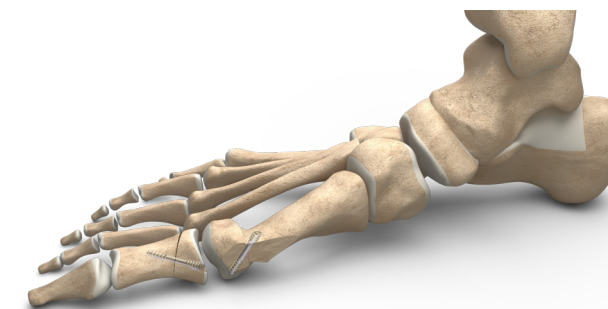
PART NO.	DESCRIPTION
CRE23113	WEDGE Ø3.1 LG 13

PART NO.	DESCRIPTION
CRE24113	WEDGE Ø4.1 LG 13





# Nexis<sup>®</sup> MIS



## Nexis<sup>®</sup> MIS

Ø2.7mm Nexis<sup>®</sup> MIS is a titanium alloy cannulated compressive screw featuring an elliptic beveled head. Its self-tapping, self-drilling, and reverse cutting flutes properties, combined with its specific and universal Exact-2 T8 recess, allow for easy insertion and for removal with a standard T8 screwdriver if necessary.

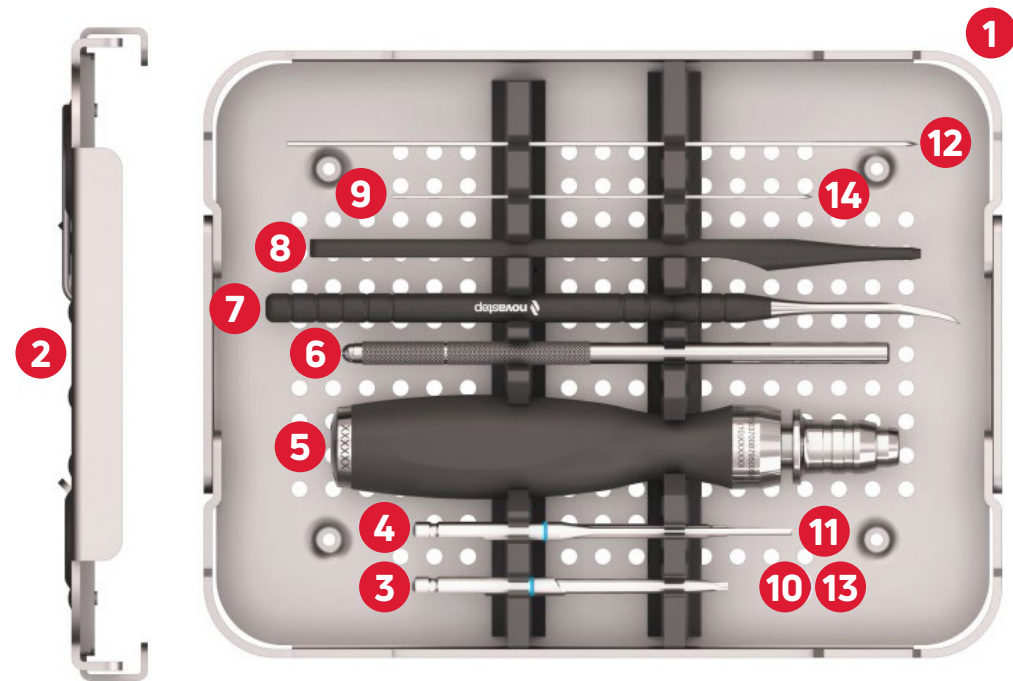
The beveled head is designed to maximize cortical anchorage and preserve soft tissue.

The Nexis<sup>®</sup> MIS screw is used in combination with a Ø1.2K-Wire.

### IMPLANTS

LENGTH (MM)	Ø2.7 BEVELED COMPRESSION SCREW
14	SC090014
16	SC090016
18	SC090018
20	SC090020
22	SC090022
24	SC090024
26	SC090026
28	SC090028
30	SC090030

## Nexis® MIS Instruments



### NEXIS® MIS INSTRUMENTATION

NO.	PART NO.	DESCRIPTION	QTY
1	ACC1018P0001	TRAY	1
2	ACC1018P0002	LID	1
3	XSD02006	EXACT-2 T8 AO SCREWDRIVER TIP	2
4	XRE01024	COUNTERSINK Ø2.8	1
5	XHA01001	AO HANDLE	1
6	-	FINE SURGICAL HANDLE <sup>(1)</sup>	1
7	XMS01011	PERIOESTAL ELEVATOR SINGLE TIP	1
8	XGA01013	RULER LG 100/150	1
9	-	K-WIRE Ø1.2 LG100 TR/RD <sup>(2)</sup>	5

### OPTIONAL NEXIS® MIS INSTRUMENTATION

NO.	PART NO.	DESCRIPTION	QTY
10	XSD02007	REMOVAL EXACT-2 T8 AO SCREWDRIVER TIP	1
11	XDB01025	CANNULATED DRILL BIT Ø1.9	1
12	-	K-WIRE Ø1.2 LG150 TR/RD <sup>(3)</sup>	5

### OPTIONAL NEXIS® 2.3 INSTRUMENTATION

NO.	PART NO.	DESCRIPTION	QTY
13	XSD01001	T7 AO SCREWDRIVER TIP	2
14	-	K-WIRE Ø0.9 LG100 TR/RD <sup>(4)</sup>	5

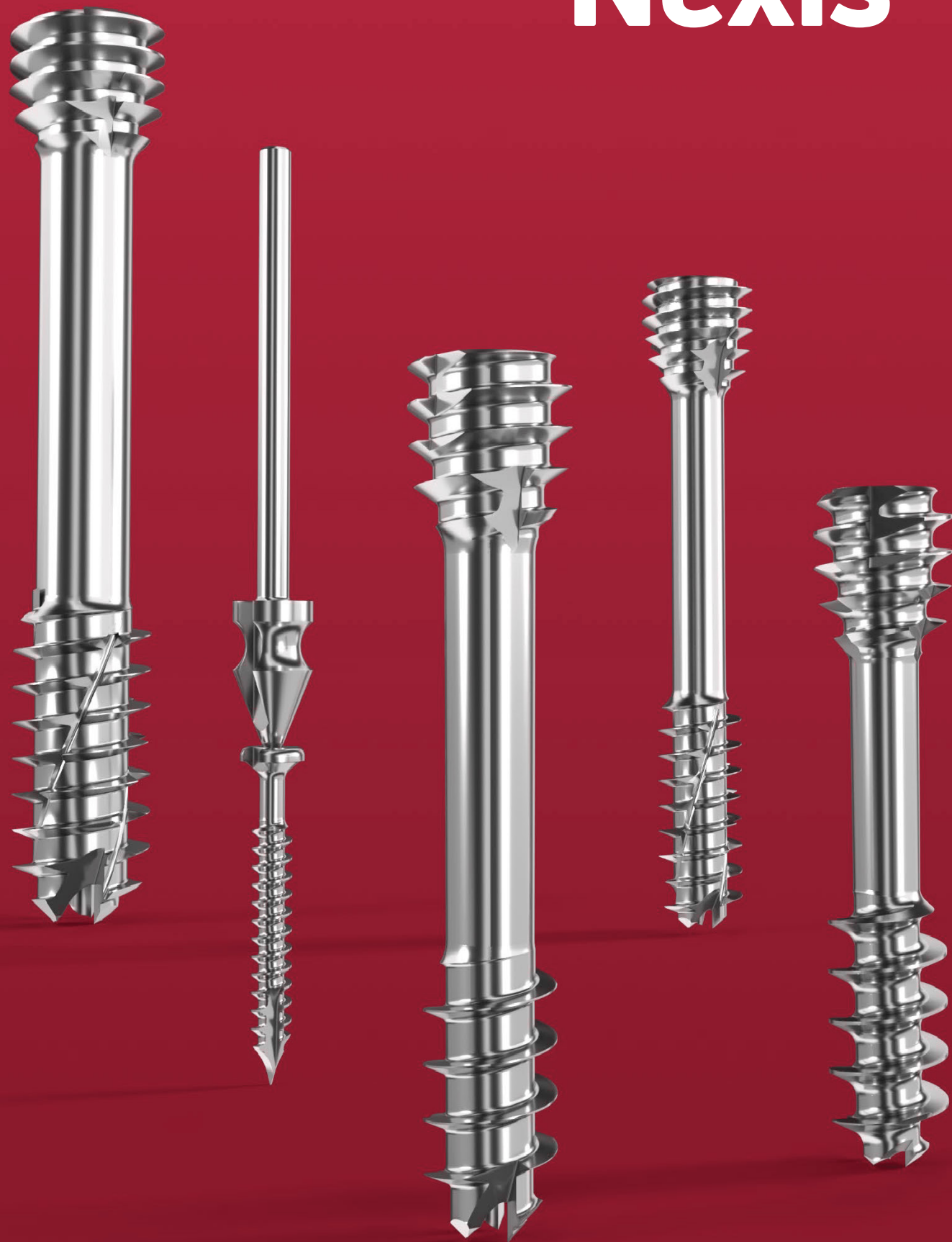
(1) Reference SF13 supplied separately. Availability dependent on your market.

(2) K-wire supplied separately. Medetechnik® K-wire (33-T10-R-12-100) or Novastep® K-wire (CKW01014) available depending on your market.

(3) K-wire supplied separately. Medetechnik® K-wire (33-T10-R-12-150) or Novastep® K-wire (CKW01015) available depending on your market.

(4) K-wire supplied separately. Medetechnik® K-wire (33-T10-R-09-100) or Novastep® K-wire (CKW01008) available depending on your market.

# Nexis®



## Nexis® Screw System

Designed in partnership with an international panel of foot and ankle specialists, the Nexis® Snap-Off / Cannulated Compressive Screw range, made of titanium alloy, offers a substantial range of lengths intended for fixation of osteotomy and arthrodesis of the foot and ankle.

## Nexis® Forefoot Screws

### SNAP-OFF SCREWS

LENGTH (MM)	Ø2 NEXIS SNAP-OFF SCREWS
11	SC040011
12	SC040012
13	SC040013
14	SC040014
15	SC040015
16	SC040016

### COMPRESSIVE SCREWS

LENGTH (MM)	Ø2.3 NEXIS COMPRESSIVE SCREWS	Ø2.9 NEXIS COMPRESSIVE SCREWS	Ø4 NEXIS COMPRESSIVE SCREWS
10	SC010010	SC020010	-
12	SC010012	SC020012	-
14	SC010014	SC020014	-
16	SC010016	SC020016	-
18	SC010018	SC020018	SC050018
20	SC010020	SC020020	SC050020
22	SC010022	SC020022	SC050022
24	SC010024	SC020024	SC050024
26	SC010026	SC020026	SC050026
28	SC010028	SC020028	SC050028
30	SC010030	SC020030	SC050030
32	-	SC020032	SC050032
34	-	SC020034	SC050034
36	-	-	SC050036
38	-	-	SC050038
40	-	-	SC050040
42	-	-	SC050042
44	-	-	SC050044
46	-	-	SC050046
48	-	-	SC050048
50	-	-	SC050050
55	-	-	SC050055
60	-	-	SC050060

## Nexis® Rearfoot Screws

### COMPRESSIVE SCREWS

LENGTH (MM)	Ø5 NEXIS COMPRESSIVE SCREWS	Ø7 NEXIS COMPRESSIVE SCREWS SHORT THREAD (16MM)	Ø7 NEXIS COMPRESSIVE SCREWS LONG THREAD (32MM)*
30	SC060030	-	-
32	SC060032	-	-
34	SC060034	-	-
36	SC060036	-	-
38	SC060038	-	-
40	SC060040	SC070040	SC080040
42	SC060042	-	-
44	SC060044	-	-
45	-	SC070045	SC080045
46	SC060046	-	-
48	SC060048	-	-
50	SC060050	SC070050	SC080050
55	SC060055	SC070055	SC080055
60	SC060060	SC070060	SC080060
65	SC060065	SC070065	SC080065
70	SC060070	SC070070	SC080070
75	SC060075	SC070075	SC080075
80	SC060080	SC070080	SC080080
85	SC060085	SC070085	SC080085
90	SC060090	SC070090	SC080090
95	SC060095	SC070095	SC080095
100	SC060100	SC070100	SC080100
105	-	SC070105	SC080105
110	-	SC070110	SC080110
115	-	SC070115	SC080115
120	-	SC070120	SC080120

\*For Nexis® Ø7 Lg 40 screws, the long thread measures 27mm.



## Nexis® Forefoot Instruments

A modular concept allowing customization of the ancillary according to the surgeon's preferences or the indication. There are two versions available:

- **ForefootCOMPLETE:** possibility to accommodate Nexis® screws, Arcad® staples and Lync® intramedullary implant modules in the same set.
- **ForefootEXACT:** possibility to interchange Nexis® modules, Arcad® staples and Lync® intramedullary implant for a reduced size in half set.

## Nexis® ForefootEXACT Tray (XTR10003)

### UNIVERSAL INSTRUMENTATION

NO.	PART NO.	DESCRIPTION	QTY
	ACC1001P0008	FOREFOOT EXACT TRAY	1
	ACC1001P0007	FOREFOOT EXACT LID	1
1	XFP01001	SCARF FORCEPS	1
2	XFP01004	CHEVRON FORCEPS	1
3	XHA01001	AO HANDLE	1
4	XKW01001	CLEANING PIN Ø0.9	1
5	XGA01001	RULER LG 80	1
6	XGA01002	DEPTH GAUGE	1
7	XMS01001	K-WIRE TUBE	1
-	-	K-WIRE Ø0.9 LG80 TR/RD <sup>(1)</sup>	1
-	-	K-WIRE Ø1.0 LG80 TR/RD <sup>(2)</sup>	1
-	-	K-WIRE Ø1.4 LG100 TR/RD <sup>(3)</sup>	1

### NEXIS® Ø2/Ø2.3/Ø2.9/Ø4 INSTRUMENTATION

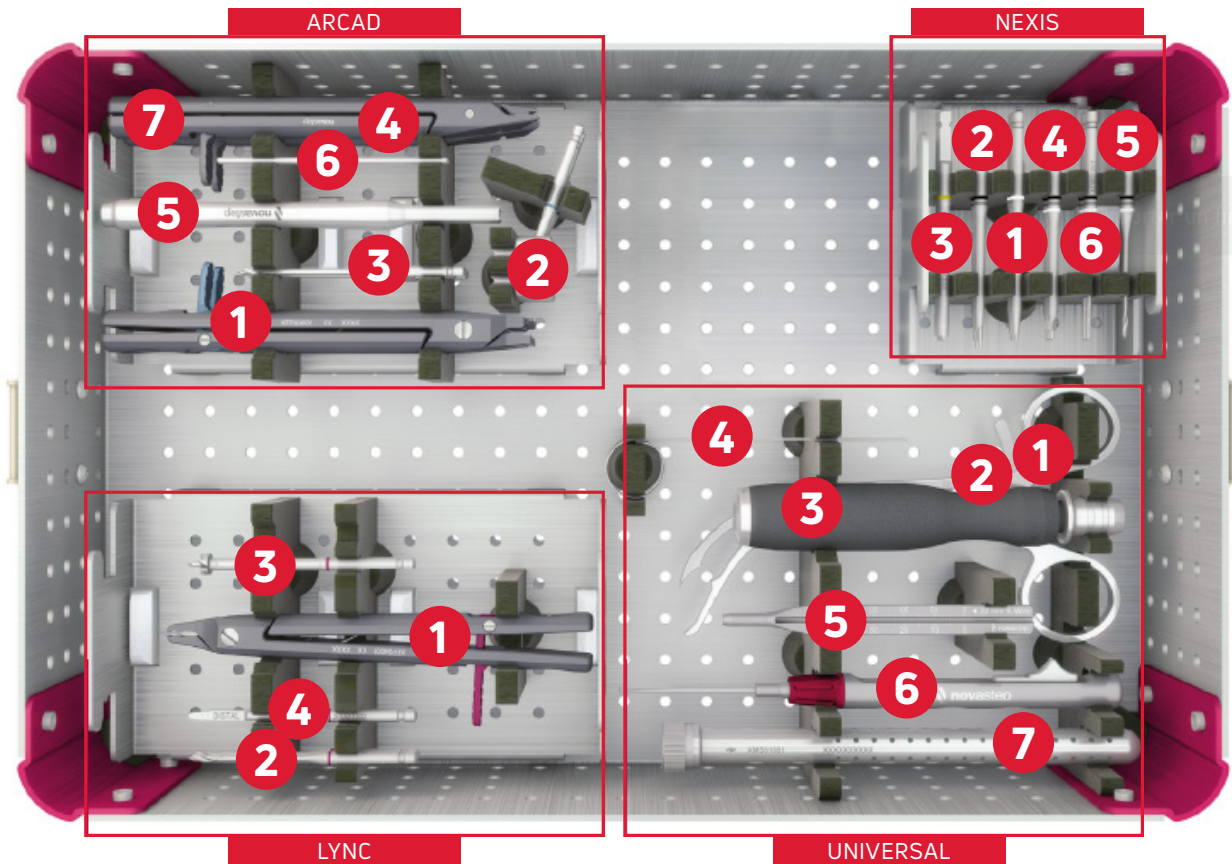
NO.	PART NO.	DESCRIPTION	QTY
	ACC1001P0006	MODULE	1
1	XSD01001	T7 AO SCREWDRIVER TIP	2
2	XSD02001	T8 AO SCREWDRIVER TIP	2
3	XSD03001	SNAP-OFF AO SCREWDRIVER TIP	1
4	XRE01001	COUNTERSINK Ø2.75	1
5	XDB02001	SOLID DRILL BIT Ø1.75	1
6	XDB01001	CANNULATED DRILL BIT Ø1.75	1

(1) K-wire supplied separately. Medetechnik® K-wire (33-T10-R-09-080) or Novastep® K-wire (CKW01009) available depending on your market.

(2) K-wire supplied separately. Medetechnik® K-wire (33-T10-R-10-080) or Novastep® K-wire (CKW01016) available depending on your market.

(3) K-wire supplied separately. Medetechnik® K-wire (33-T10-R-14-100) or Novastep® K-wire (CKW01002) available depending on your market.

## Nexis® ForefootCOMPLETE Tray (XTR10000)



### UNIVERSAL INSTRUMENTATION

NO.	PART NO.	DESCRIPTION	QTY
	ACC1001P0001	FOREFOOT COMPLETE TRAY	1
	ACC1001P0002	FOREFOOT COMPLETE LID	1
1	XFP01001	SCARF FORCEPS	1
2	XFP01004	CHEVRON FORCEPS	1
3	XHA01001	AO HANDLE	1
4	XKW01001	CLEANING PIN Ø0.9	1
5	XGA01001	RULER LG 80	1
6	XGA01002	DEPTH GAUGE	1
7	XMS01001	K-WIRE TUBE	1
-	-	K-WIRE Ø0.9 LG80 TR/RD <sup>(1)</sup>	1
-	-	K-WIRE Ø1.0 LG80 TR/RD <sup>(2)</sup>	1
-	-	K-WIRE Ø1.4 LG100 TR/RD <sup>(3)</sup>	1

### NEXIS Ø2/Ø2.3/Ø2.9 INSTRUMENTATION

NO.	PART NO.	DESCRIPTION	QTY
	ACC1001P0006	MODULE	1
1	XSD01001	T7 AO SCREWDRIVER TIP	2
2	XSD02001	T8 AO SCREWDRIVER TIP	2
3	XSD03001	SNAP-OFF AO SCREWDRIVER TIP	1
4	XRE01001	COUNTERSINK Ø2.75	1
5	XDB02001	SOLID DRILL BIT Ø1.75	1
6	XDB01001	CANNULATED DRILL BIT Ø1.75	1

(1) K-wire supplied separately. Medetechnik® K-wire (33-T10-R-09-080) or Novastep® K-wire (CKW01009) available depending on your market.  
 (2) K-wire supplied separately. Medetechnik® K-wire (33-T10-R-10-080) or Novastep® K-wire (CKW01016) available depending on your market.  
 (3) K-wire supplied separately. Medetechnik® K-wire (33-T10-R-14-100) or Novastep® K-wire (CKW01002) available depending on your market.

### LYNC INSTRUMENTATION

NO.	PART NO.	DESCRIPTION	QTY
	ACC1001P0004	MODULE	1
1	XFP04001	FORCEPS	1
2	XDB01003	DRILL BIT Ø2.3	1
3	XRE01002	SURFACING REAMER	1
4	XRA01002	RASP	1

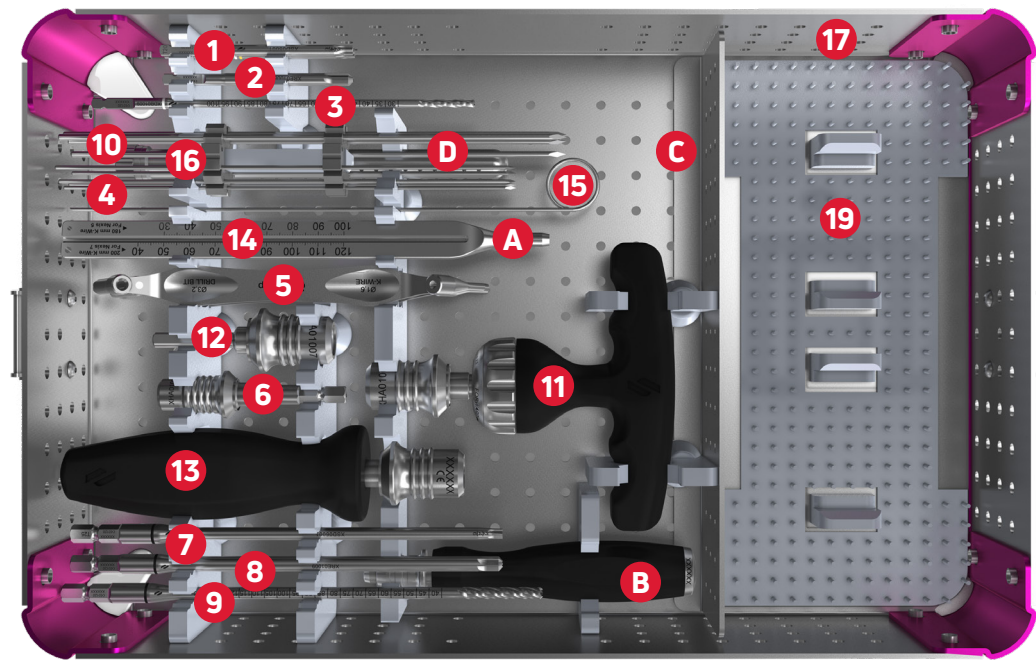
### ARCAD® FOREFOOT INSTRUMENTATION

NO.	PART NO.	DESCRIPTION	QTY
	ACC1001P0003	MODULE	1
1	XFP03001	FORCEPS - ARCAD® 10	1
2	XDG01001	DRILL GUIDE - ARCAD® 10	1
3	XDB01008	DRILL BIT Ø2	1
4	XFP02001	ANGLED STAPLES FORCEPS	1
5	XMS01002	IMPACTOR	1
6	XPP01001	POSITIONING PIN Ø2	2
7	XFP05001	STRAIGHT STAPLES FORCEPS	1

### NEXIS Ø4 INSTRUMENTATION - OPTIONAL

NO.	PART NO.	DESCRIPTION	QTY
	ACC1002P0004	MODULE	1
1	XSD04001	T10 AO SCREWDRIVER TIP	1
2	XDG01009	DOUBLE DRILL GUIDE FOR SCREW Ø4	1
3	XDB01007	CANNULATED DRILL BIT Ø2.7	1
4	XRE01026	COUNTERSINK Ø3.7 - NEXIS®/ PECA®-C	1
5	XGA01004	RULER LG 100	1
6	XDB01001	CANNULATED DRILL BIT Ø1.75	1

## Nexis® Rearfoot Tray (XTR10010)



### NEXIS® Ø5 INSTRUMENTATION

NO.	PART NO.	DESCRIPTION	QTY
1	XSD05001	T20 AO SCREWDRIVER TIP	2
1	XSD05002	SOLID T20 AO SCREWDRIVER TIP	1
2	XRE01008	COUNTERSINK Ø4.9	1
3	XDB01009	CANNULATED DRILL BIT Ø3.2	1
4	-	K-WIRE Ø1.6 LG180 TR/RD <sup>(1)</sup>	5
5	XDG01015	DOUBLE DRILL GUIDE FOR SCREW Ø5	1
6	XHA01005	ADAPTATOR 1/4" HEX - AO	1

### NEXIS Ø7 INSTRUMENTATION

NO.	PART NO.	DESCRIPTION	QTY
7	XSD06003	T25 LARGE AO SCREWDRIVER TIP	2
7	XSD06002	SOLID T25 LARGE AO SCREWDRIVER TIP	1
8	XRE01009	COUNTERSINK Ø6	1
9	XDB01010	CANNULATED DRILL BIT Ø4.8	1
10	-	K-WIRE Ø2.2 LG200 TR/RD <sup>(2)</sup>	5
5	XDG01016	DOUBLE DRILL GUIDE FOR SCREW Ø7	1
12	XHA01006	ADAPTATOR AO 1/4" HEX	1

### UNIVERSAL INSTRUMENTATION

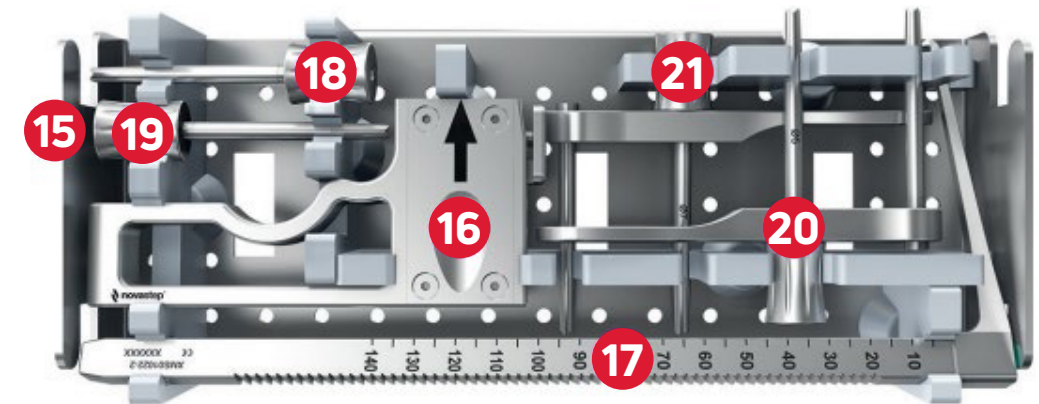
NO.	PART NO.	DESCRIPTION	QTY
11	XHA01004	LARGE AO T HANDLE RATCHET	1
12	XHA01003	LARGE AO STRAIGHT HANDLE	1
14	XGA01007	RULER LG 180/200	1
15	XKW01003	CLEANING PIN Ø1.6	1
16	ACC1008P0004	K-WIRES HOLDER	1
17	ACC1008P0001	TRAY	1
	ACC1008P0002	LID	1
19	ACC1008P0003	SILICONE MAT	1

### OPTIONAL INSTRUMENTATION

NO.	PART NO.	DESCRIPTION	QTY
-	XFP01008	OPEN ARMS DISTRACTOR	1
-	SKW05003	THREADED WIRE Ø1.6 LG 140 TR/RD - STERILE	5
-	SKW05004	THREADED WIRE Ø2.5 LG 140 TR/RD - STERILE	5

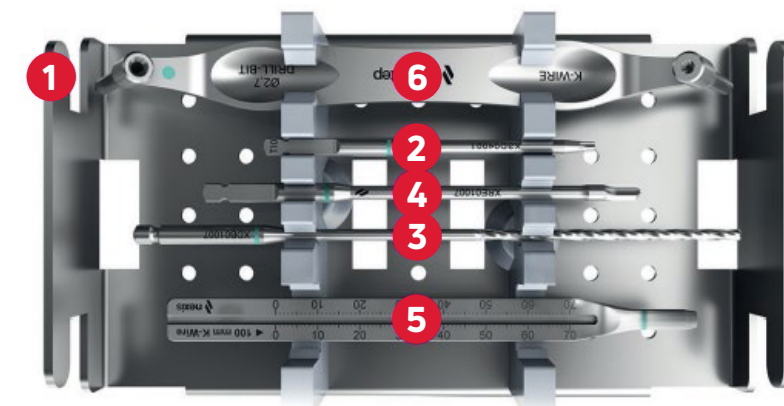
(1) K-wire supplied separately. Medetechnik® K-wire (33-T10-R-16-180) or Novastep® K-wire (CKW01004) available depending on your market.  
 (2) K-wire supplied separately. Medetechnik® K-wire (33-T10-R-22-200) or Novastep® K-wire (CKW01011) available depending on your market.

## Nexis® Targeting Guide Module (Optional)



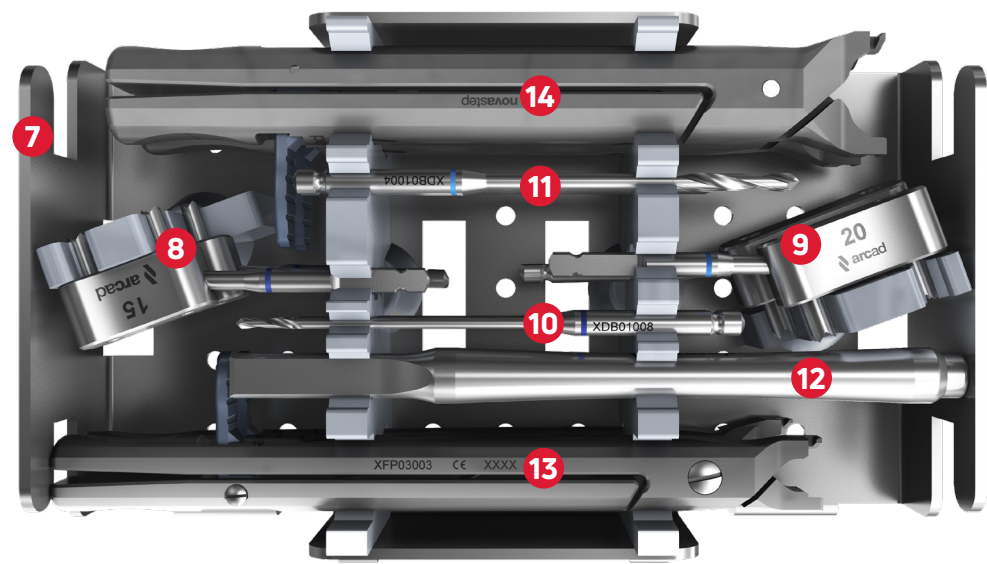
NO.	PART NO.	DESCRIPTION	QTY
15	ACC1012P0003	TARGETING GUIDE MODULE	1
16	XMS01022-1	TARGETING GUIDE CLAMP	1
17	XMS01022-2	TARGETING GUIDE ARM	1
18	XMS01022-3	K-WIRE SLEEVE - NEXIS® Ø5	1
19	XMS01022-4	K-WIRE SLEEVE - NEXIS® Ø7	1
20	XMS01023	PARALLEL WIRE GUIDE - NEXIS® Ø5	1
21	XMS01024	PARALLEL WIRE GUIDE - NEXIS® Ø7	1

## Nexis Ø4 Module (Optional)



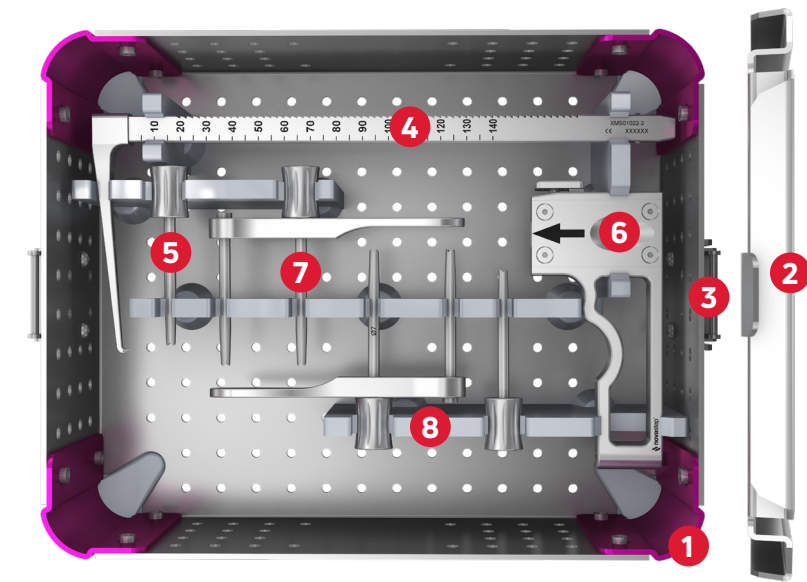
NO.	PART NO.	DESCRIPTION	QTY
1	ACC1002P0004	MODULE	1
2	XSD04001	T10 AO SCREWDRIVER TIP	1
3	XDB01007	CANNULATED DRILL BIT Ø2.7	1
4	XRE01026	COUNTERSINK Ø3.7 - NEXIS®/ PECA®	1
5	XGA01004	RULER LG 100	1
6	XDG01009	DOUBLE DRILL GUIDE FOR SCREW Ø4	1

## Arcad® 15-18-20-25 Module (Optional)



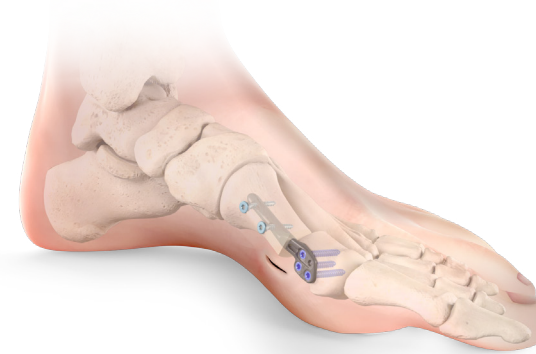
NO.	PART NO.	DESCRIPTION	QTY
7	ACC1005P0007	MODULE	1
8	XDG01003	DRILL GUIDE - ARCAD® 15	1
8	XDG01004	DRILL GUIDE - ARCAD® 18	1
9	XDG01005	DRILL GUIDE - ARCAD® 20	1
9	XDG01006	DRILL GUIDE - ARCAD® 25	1
10	XPP01001	POSITIONING PIN Ø2	2
11	XPP01002	POSITIONING PIN Ø3	2
12	XMS01002	IMPACTOR	1
10	XDB01008	DRILL BIT Ø2	1
11	XDB01004	DRILL BIT Ø3	1
13	XFP03003	FORCEPS - ARCAD® 15	1
13	XFP03004	FORCEPS - ARCAD® 18	1
14	XFP03005	FORCEPS - ARCAD® 20	1
14	XFP03006	FORCEPS - ARCAD® 25	1

## Nexis® Targeting Guide Tray (XTR10030)



NO.	PART NO.	DESCRIPTION	QTY
1	ACC1012P0001	TARGETING GUIDE TRAY	1
2	ACC1012P0002	TARGETING GUIDE LID	1
3	XMS01022-1	TARGETING GUIDE CLAMP	1
4	XMS01022-2	TARGETING GUIDE ARM	1
5	XMS01022-3	K-WIRE SLEEVE - NEXIS® Ø5	1
6	XMS01022-4	K-WIRE SLEEVE - NEXIS® Ø7	1
7	XMS01023	PARALLEL WIRE GUIDE - NEXIS® Ø5	1
8	XMS01024	PARALLEL WIRE GUIDE - NEXIS® Ø7	1

# Centrolock®



## Centrolock® Guided Transverse Osteotomy System

Centrolock® guided transverse osteotomy system is for minimally invasive hallux valgus correction.

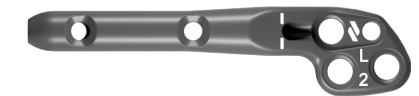
The hybrid design combines a cannulated intramedullary stem with plate fixation on the metatarsal head. Powerful three plane corrections once achieved only by Lapidus, can now be performed through a distal minimally invasive guided approach.

## Centrolock® Implants



RIGHT

STEP (MM)	PART NO.
2	PL070102
4	PL070104
6	PL070106



LEFT

STEP (MM)	PART NO.
2	PL070202
4	PL070204
6	PL070206

## Centrolock® Screws



Ø2.5 LOCKING SCREW

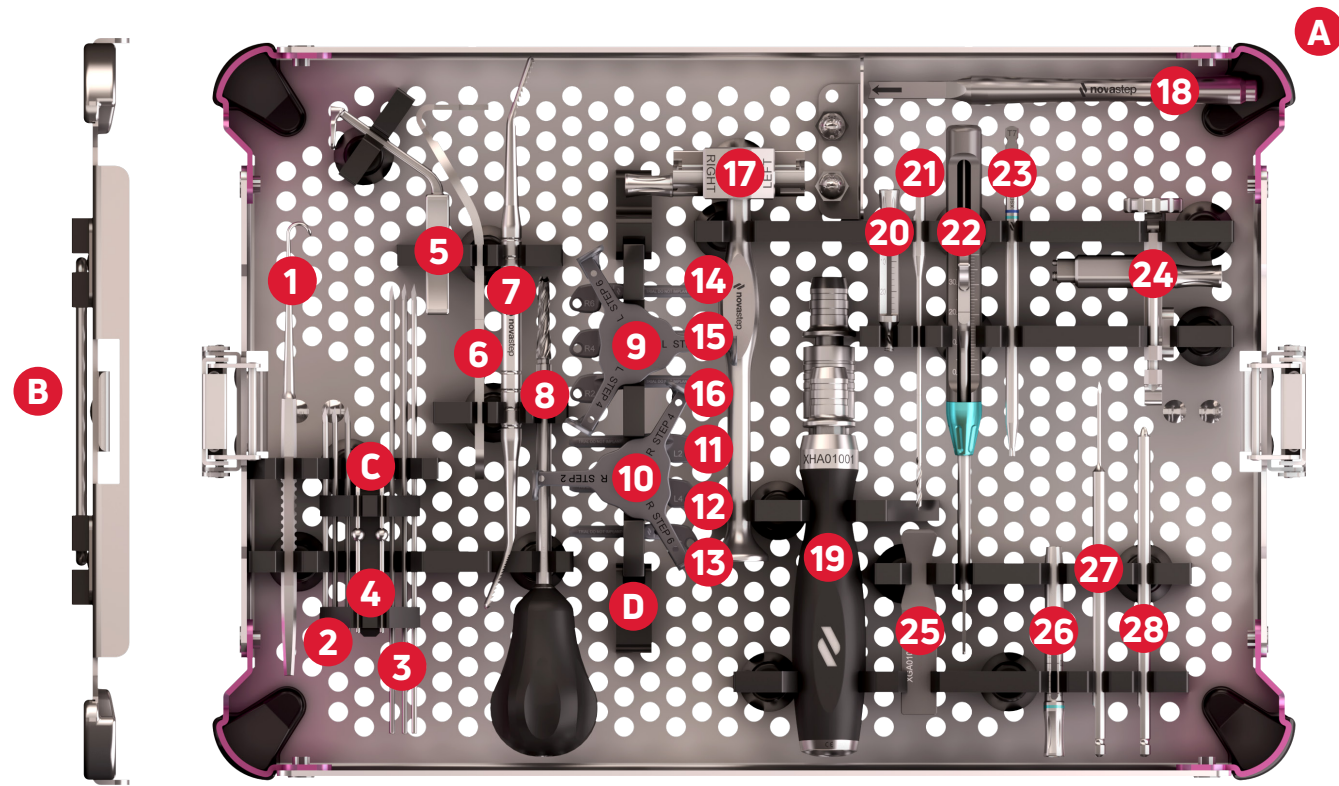
LENGTH (MM)	PART NO.
10	SP012510
12	SP012512
14	SP012514
16	SP012516
18	SP012518
20	SP012520
22	SP012522
24	SP012524
26	SP012526



Ø2 CORTICAL SCREW

LENGTH (MM)	PART NO.
12	SP032012
14	SP032014
16	SP032016
18	SP032018
20	SP032020
22	SP032022
24	SP032024

**Centrolock® Tray (XTR10044)**



**CENTROLOCK® INSTRUMENTATION**

NO.	PART NO.	DESCRIPTION	QTY
A	ACC1015P0001	TRAY	1
B	ACC1015P0002	LID	1
C	ACC1001P0020	K-WIRES HOLDER	1
D	ACC1015P0003	TRIAL IMPLANT HOLDER	1
1	XMS01033	RETRACTOR	2
2	-	K-WIRE Ø2.0 LG100 TR/RD <sup>(1)</sup>	4
3	-	K-WIRE Ø2.0 LG150 TR/RD <sup>(2)</sup>	4
4	XPP01005	SPHERIC POSITIONING PIN	2
5	XMS01040-1	CUTTING TEMPLATE - RIGHT	1
5	XMS01040-2	CUTTING TEMPLATE - LEFT	1
6	XMS01029	ELEVATOR	1
7	XMS01009	PERCUTANEOUS RASPS	1
8	XRE01014	CANNULATED REAMER	1
9	XTI06010	STEMLESS TRIAL SIZER LEFT	1
10	XTI06012	2MM TRIAL IMPLANT LEFT	1
11	XTI06014	4MM TRIAL IMPLANT LEFT	1
12	XTI06016	6MM TRIAL IMPLANT LEFT	1
13	XTI06020	STEMLESS TRIAL SIZER RIGHT	1
14	XTI06022	2MM TRIAL IMPLANT RIGHT	1
15	XTI06024	4MM TRIAL IMPLANT RIGHT	1
16	XTI06026	6MM TRIAL IMPLANT RIGHT	1
17	XMS01030	IMPACTOR	1
18	XMS01036	STRAIGHT IMPACTOR	1
19	XHA01001	AO HANDLE	1
20	XDG01019	LOCKING DRILL GUIDE FOR SCREW Ø2.5	2
21	XDB01020	DRILL BIT Ø1.8	2
22	XGA01011	DEPTH GAUGE	1
23	XSD01003	T7 AO SCREWDRIVER TIP	2
24	XMS01026	TARGETING-COMPRESSING GUIDE	1
25	XGA01003	SCREW LENGTH INDICATOR	1
26	XDG01018	DRILL GUIDE FOR SCREW Ø2	2
27	XDB01019	DRILL BIT Ø1.5	2
28	XRE01022	COUNTERSINK	1

*(1) K-wire supplied separately. Medetechnik® K-wire (33-T10-R-20-100) or Novastep® K-wire (CKW01012) available depending on your market.*

*(2) K-wire supplied separately. Medetechnik® K-wire (33-T10-R-20-150) or Novastep® K-wire (CKW01013) available depending on your market.*

# Airlock®

## Foot Plating System



### Airlock® Foot Plating System

The Airlock® Foot Plating System consists of a range of osteosynthesis plates for the forefoot, midfoot, and rearfoot made of titanium alloy. It combines a low profile plate design dedicated to each indication, a compression hole, and a monoaxial and polyaxial screw system to ensure a stable and rigid fixation.

Presslock® technology provides a locking compression hole that ensures a stable construct. It is available on the Fusion, Lapidus and Plantar Lapidus plates.



## Airlock® Foot Plates

**PRESSLOCK® INNOVATION**  
LOCKING COMPRESSION HOLE FOR  
Ø 3.5 MM LOCKING SCREWS.

## Airlock® Foot Screws



### MTP PLATES

PART NO.	DESCRIPTION
PL010134	SHORT - RIGHT
PL010234	SHORT - LEFT
PL010140	STANDARD - RIGHT
PL010240	STANDARD - LEFT
PL010152	LONG - RIGHT
PL010252	LONG - LEFT



### FUSION PLATES

PART NO.	DESCRIPTION
PL040117	STRAIGHT - SHORT
PL040120	STRAIGHT - MEDIUM
PL040123	STRAIGHT - LONG
PL040217	H - SMALL
PL040220	H - MEDIUM
PL040223	H - LARGE



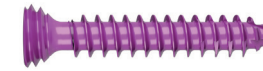
### LISFRANC PLATES

PART NO.	DESCRIPTION
PL050101	T - SHORT
PL050102	T - LONG
PL050201	H - SMALL
PL050202	H - MEDIUM
PL050203	H - LARGE
PL010252	LONG - LEFT



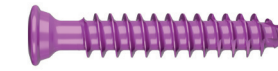
### LAPIDUS PLATES

PART NO.	DESCRIPTION
PL030301	SHORT - RIGHT
PL030302	SHORT - LEFT
PL030401	LONG - RIGHT
PL030402	LONG - LEFT



### Ø3 LOCKING SCREWS

LENGTH (MM)	PART NO.
10	SP013010
12	SP013012
14	SP013014
16	SP013016
18	SP013018
20	SP013020
22	SP013022
24	SP013024
26	SP013026
28	SP013028
30	SP013030



### Ø3 NON-LOCKING SCREWS

LENGTH (MM)	PART NO.
10	SP023010
12	SP023012
14	SP023014
16	SP023016
18	SP023018
20	SP023020
22	SP023022
24	SP023024
26	SP023026
28	SP023028
30	SP023030



### Ø3.5 LOCKING SCREWS

LENGTH (MM)	PART NO.
10	SP013510
12	SP013512
14	SP013514
16	SP013516
18	SP013518
20	SP013520
22	SP013522
24	SP013524
26	SP013526
28	SP013528
30	SP013530
32	SP013532
34	SP013534
36	SP013536
38	SP013538
40	SP013540



### Ø3.5 NON-LOCKING SCREWS

LENGTH (MM)	PART NO.
10	SP013510
12	SP013512
14	SP013514
16	SP013516
18	SP013518
20	SP013520
22	SP013522
24	SP013524
26	SP013526
28	SP013528
30	SP013530
32	SP013532
34	SP013534
36	SP013536
38	SP013538
40	SP013540



### UTILITY PLATES

PART NO.	DESCRIPTION
PL040016	2 HOLES, LG 16
PL040022	3 HOLES, LG 22
PL040028	4 HOLES, LG 28
PL040034	5 HOLES, LG 34
PL040040	6 HOLES, LG 40
PL040046	7 HOLES, LG 46



### PLANTAR LAPIDUS PLATES

PART NO.	DESCRIPTION
PL080101	SHORT - RIGHT
PL080102	SHORT - LEFT
PL080201	LONG - RIGHT
PL080202	LONG - LEFT

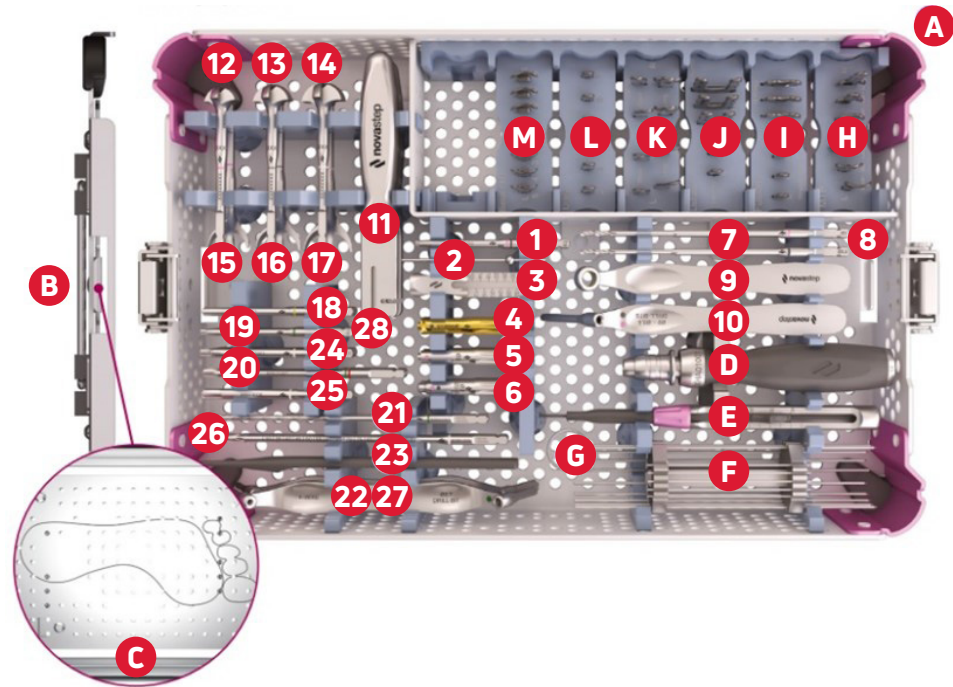


### MT BASE PLATES

PART NO.	DESCRIPTION
PL020100	CLOSING WEDGE - RIGHT
PL020200	CLOSING WEDGE - LEFT
PL020103	OPEN WEDGE 3 - RIGHT
PL020203	OPEN WEDGE 3 - LEFT
PL020104	OPEN WEDGE 4 - RIGHT
PL020204	OPEN WEDGE 4 - LEFT
PL020105	OPEN WEDGE 5 - RIGHT
PL020205	OPEN WEDGE 5 - LEFT

## Airlock® Foot Tray (XTR10053)

## Airlock® Foot Tray (Con't.)



### TRAY/LID

NO.	PART NO.	DESCRIPTION	QTY
A	ACC1016P0001	TRAY	1
B	ACC1016P0003	LID	1
C	ACC1016P0008	FOOT SUPPORT PLATE	1

### UNIVERSAL INSTRUMENTATION

NO.	PART NO.	DESCRIPTION	QTY
D	XHA01001	AO HANDLE	1
E	XGA01002	DEPTH GAUGE	1
F	ACC1016P0004	K-WIRES HOLDER	1
-	-	K-WIRE Ø1.4 LG150 TR/RD <sup>(1)</sup>	5
-	-	K-WIRE Ø1.6 LG180 TR/RD <sup>(2)</sup>	5
G	XKW01002	CLEANING PIN Ø1.4	1

### AIRLOCK® INSTRUMENTATION

NO.	PART NO.	DESCRIPTION	QTY
1	XSD02002	T8 AO SCREWDRIVER TIP	1
2	XPP01003	SPHERIC POSITIONING PIN	1
3	XGA01003	SCREW LENGTH INDICATOR	1
4	XDG01023	PRESSLOCK® - DRILL GUIDE FOR SCREW Ø3.5	5
5	XDG01022	OBLONG DRILL GUIDE FOR SCREW Ø3	5
6	XDG01021	LOCKING DRILL GUIDE FOR SCREW Ø3 AND Ø3.5	1
7	XDB01021	DRILL-BIT Ø2	1
8	XDB01022	DRILL-BIT Ø2.5	OPT.
9	XMS01004	DRILL GUIDE HOLDER	1
10	XDG01020	POLYAXIAL DRILL GUIDE FOR SCREW Ø3 AND Ø3.5	1

### REAMERS & PLATE BENDERS

NO.	PART NO.	DESCRIPTION	QTY
11	XMS01010	PLATE BENDER	2
12	XRE01010	CONVEX REAMER Ø18	1
13	XRE01005	CONVEX REAMER Ø20	1
14	XRE01006	CONVEX REAMER Ø22	1
15	XRE01011	CONCAVE REAMER Ø18	1
16	XRE01003	CONCAVE REAMER Ø20	1
17	XRE01004	CONCAVE REAMER Ø22	1

### NEXIS® INSTRUMENTATION

NO.	PART NO.	DESCRIPTION	QTY
18	XSD03001	SNAP-OFF AO SCREWDRIVER TIP	1
19	XSD04001	T10 AO SCREWDRIVER TIP	1
20	XRE01026	COUNTERSINK Ø3.7 - NEXIS®/ PECA®-C	1
21	XDB01007	CANNULATED DRILL BIT Ø2.7	1
22	XDG01009	DOUBLE DRILL GUIDE FOR SCREW Ø4	1
23	XGA01009	RULER LG 150	1
24	XSD05001	T20 AO SCREWDRIVER TIP	OPT.
25	XRE01008	COUNTERSINK Ø4.9	OPT.
26	XDB01009	CANNULATED DRILL BIT Ø3.2	OPT.
27	XDG01015	DOUBLE DRILL GUIDE FOR SCREW Ø4	OPT.

### PECA®-COMPRESSIVE INSTRUMENTATION

NO.	PART NO.	DESCRIPTION	QTY
28	XSD09002	EXACT2-T15 AO SCREWDRIVER TIP	OPT.
-	XDB01030	AO DRILL BIT Ø3.2	OPT.
-	CKW02005	K-WIRE Ø1.4 LG150 TR/RD CRCO <sup>(1)</sup>	OPT.

(1) K-wire supplied separately.

(1) K-wire supplied separately. Medetechnik® K-wire (33-T10-R-14-150) or Novastep® K-wire (CKW01010) available depending on your market.

(2) K-wire supplied separately - Medetechnik® K-wire (33-T10-R-16-180) or Novastep® K-wire (CKW01004) available depending on your market.

## Airlock® Foot Trial Plates

### MTP TRIAL PLATES (XTR00026)

NO.	PART NO.	DESCRIPTION	QTY
H	ACC1006P0009	TRIAL PLATE HOLDER	1
-	XTI01301	MTP SHORT TRIAL PLATE LEFT	1
-	XTI01302	MTP SHORT TRIAL PLATE RIGHT	1
-	XTI01001	MTP MEDIUM TRIAL PLATE LEFT	1
-	XTI01002	MTP MEDIUM TRIAL PLATE RIGHT	1
-	XTI01401	MTP LONG TRIAL PLATE LEFT	1
-	XTI01402	MTP LONG TRIAL PLATE RIGHT	1

### FUSION TRIAL PLATES (XTR00042)

NO.	PART NO.	DESCRIPTION	QTY
I	ACC1006P0007	TRIAL PLATE HOLDER	1
-	XTI04117	FUSION STRAIGHT SHORT TRIAL PLATE	1
-	XTI04120	FUSION STRAIGHT MEDIUM TRIAL PLATE	1
-	XTI04123	FUSION STRAIGHT LONG TRIAL PLATE	1
-	XTI04217	FUSION H SMALL TRIAL PLATE	1
-	XTI04220	FUSION H MEDIUM TRIAL PLATE	1
-	XTI04223	FUSION H LONG TRIAL PLATE	1

### LISFRANC TRIAL PLATES (XTR00038)

NO.	PART NO.	DESCRIPTION	QTY
J	ACC1006P0012	TRIAL PLATE HOLDER	1
-	XTI05010	LISFRANC H SMALL TRIAL PLATE	1
-	XTI05020	LISFRANC H MEDIUM TRIAL PLATE	1
-	XTI05030	LISFRANC H LARGE TRIAL PLATE	1
-	XTI05040	LISFRANC T SHORT TRIAL PLATE	1
-	XTI05050	LISFRANC T LONG TRIAL PLATE	1
-	XTI04223	FUSION H LONG TRIAL PLATE	1

### LAPIDUS & PLANTAR LAPIDUS TRIAL PLATES (XTR00050)

NO.	PART NO.	DESCRIPTION	QTY
K	ACC1006P0011	TRIAL PLATE HOLDER	1
-	XTI03301	LAPIDUS SHORT TRIAL PLATE RIGHT	1
-	XTI03302	LAPIDUS SHORT TRIAL PLATE LEFT	1
-	XTI03401	LAPIDUS LONG TRIAL PLATE RIGHT	1
-	XTI03402	LAPIDUS LONG TRIAL PLATE LEFT	1
-	XTI08101	PLANTAR LAPIDUS SHORT TRIAL PLATE RIGHT	1
-	XTI08102	PLANTAR LAPIDUS SHORT TRIAL PLATE LEFT	1
-	XTI08201	PLANTAR LAPIDUS LONG TRIAL PLATE RIGHT	1
-	XTI08202	PLANTAR LAPIDUS LONG TRIAL PLATE LEFT	1

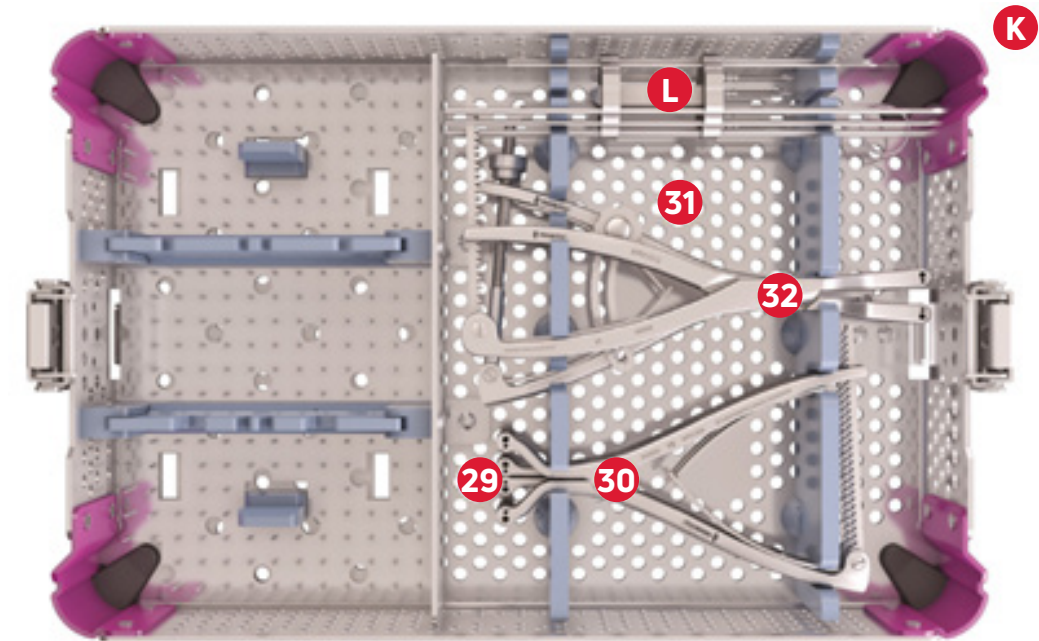
### UTILITY TRIAL PLATES (XTR00025)

NO.	PART NO.	DESCRIPTION	QTY
L	ACC1006P0010	TRIAL PLATE HOLDER	1
-	XTI04016	UTILITY 2 HOLES TRIAL PLATE	1
-	XTI04022	UTILITY 3 HOLES TRIAL PLATE	1
-	XTI04028	UTILITY 4 HOLES TRIAL PLATE	1
-	XTI04034	UTILITY 5 HOLES TRIAL PLATE	1
-	XTI04040	UTILITY 6 HOLES TRIAL PLATE	1
-	XTI04046	UTILITY 7 HOLES TRIAL PLATE	1

### OPEN WEDGE TRIAL PLATES (XTR000252)

NO.	PART NO.	DESCRIPTION	QTY
M	ACC1006P0008	TRIAL PLATE HOLDE	1
-	XTI02010	MT CLOSING WEDGE TRIAL PLATE LEFT	1
-	XTI02013	MT OPEN WEDGE 3 TRIAL PLATE LEFT	1
-	XTI02014	MT OPEN WEDGE 4 TRIAL PLATE LEFT	1
-	XTI02015	MT OPEN WEDGE 5 TRIAL PLATE LEFT	1
-	XTI02020	MT CLOSING WEDGE TRIAL PLATE RIGHT	1
-	XTI02023	MT OPEN WEDGE 3 TRIAL PLATE RIGHT	1
-	XTI02024	MT OPEN WEDGE 4 TRIAL PLATE RIGHT	1
-	XTI02025	MT OPEN WEDGE 5 TRIAL PLATE RIGHT	1

## Distractor Tray (XTR10050)



NO.	PART NO.	DESCRIPTION	QTY
K	ACC1016P0002	DISTRACTOR TRAY	1
L	ACC1016P0005	DISTRACTOR K-WIRE HOLDER	1
-	SKW04001 <sup>(1)</sup>	THREADED WIRE Ø2.5 - OPENING WEDGE DISTRACTOR - STERILE	4
-	SKW05003 <sup>(1)</sup>	THREADED WIRE Ø1.6 LG 140 TR/RD - STERILE	5
-	SKW05004 <sup>(1)</sup>	THREADED WIRE Ø2.5 LG 140 TR/RD - STERILE	5
29	XFP01006	CLOSED ARMS DISTRACTOR	1
30	XFP01008	OPEN ARMS DISTRACTOR	1
31	XFP01011	OPENING WEDGE DISTRACTOR	1
32	XFP01012	COMPRESSIVE FORCEPS	1

# Airlock<sup>®</sup> Ankle

## Ankle Plating System



### Airlock<sup>®</sup> Ankle Plating System

Airlock<sup>®</sup> Ankle anterior arthrodesis plates, made of titanium alloy, enable fusion of the tibio-talar joint.

They are available in mini and medium versions, as right and left options, with an optimized design to minimize initial tibial incision and preserve soft tissue.



## Airlock® Ankle Plates



### ANTERIOR MINI PLATES

PART NO.	DESCRIPTION
PL090110	SHORT – RIGHT
PL090210	SHORT – LEFT



### ANTERIOR MEDIUM PLATES

PART NO.	DESCRIPTION
PL090140	MEDIUM – RIGHT
PL090240	MEDIUM – LEFT

## Airlock® Ankle Screws



### Ø4 LOCKING POLYAXIAL SCREWS

LENGTH (MM)	PART NO.
16	SP014016
18	SP014018
20	SP014020
22	SP014022
24	SP014024
26	SP014026
28	SP014028
30	SP014030
32	SP014032
34	SP014034
36	SP014036
38	SP014038
40	SP014040
42	SP014042
44	SP014044
46	SP014046
48	SP014048
50	SP014050
55	SP014055
60	SP014060



### Ø4 NON-LOCKING SCREWS

LENGTH (MM)	PART NO.
16	SP044016
18	SP044018
20	SP044020
22	SP044022
24	SP044024
26	SP044026
28	SP044028
30	SP044030
32	SP044032
34	SP044034
36	SP044036
38	SP044038
40	SP044040
42	SP044042
44	SP044044
46	SP044046
48	SP044048
50	SP044050
55	SP044055
60	SP044060



### Ø4.7 LOCKING POLYAXIAL SCREWS

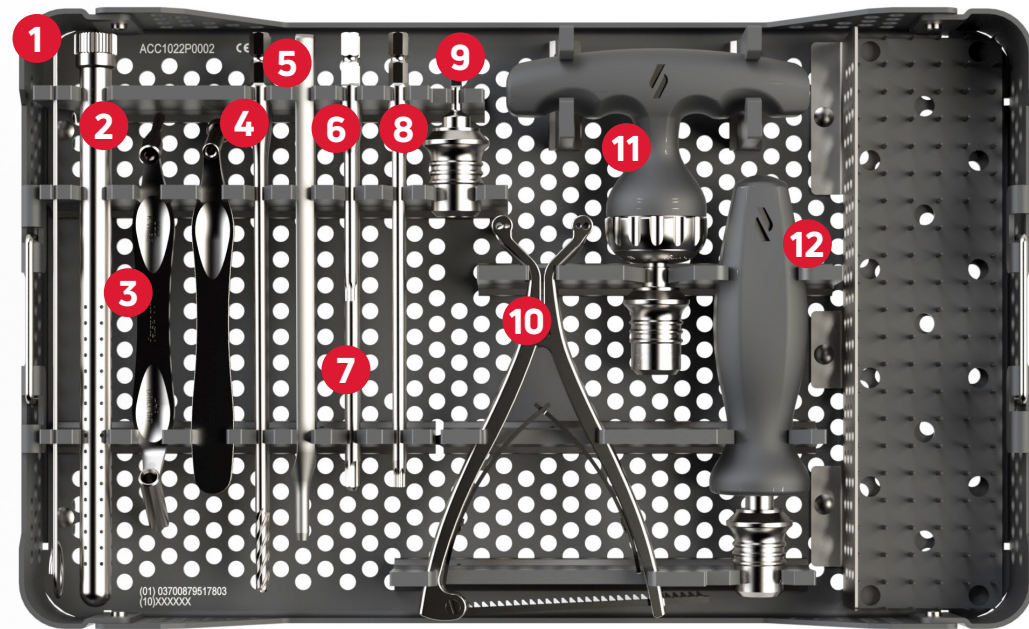
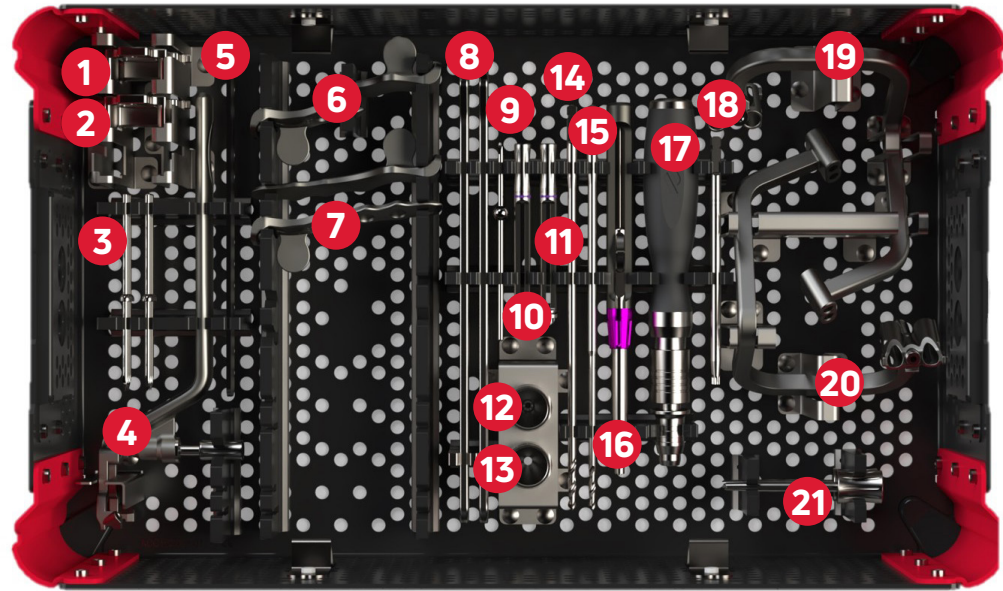
LENGTH (MM)	PART NO.
16	SP014716
18	SP014718
20	SP014720
22	SP014722
24	SP014724
26	SP014726
28	SP014728
30	SP014730
32	SP014732
34	SP014734
36	SP014736
38	SP014738
40	SP014740
42	SP014742
44	SP014744
46	SP014746
48	SP014748
50	SP014750
55	SP014755
60	SP014760



### Ø4.7 NON-LOCKING SCREWS

LENGTH (MM)	PART NO.
16	SP024716
18	SP024718
20	SP024720
22	SP024722
24	SP024724
26	SP024726
28	SP024728
30	SP024730
32	SP024732
34	SP024734
36	SP024736
38	SP024738
40	SP024740
42	SP024742
44	SP024744
46	SP024746
48	SP024748
50	SP024750
55	SP024755
60	SP024760

## Airlock® Ankle Instrumentation



### AIRLOCK® ANKLE INSTRUMENTATION

NO.	PART NO.	DESCRIPTION	QTY
-	ACC1022P0001	TRAY	1
-	ACC1022P0003	LID	1
1	XMS01043	CENTERING WINDOW	1
2	XMS01044-3	TIBIO-TALAR CUTTING WINDOW	1
3	SKW09001	POSITIONING PIN - CUTTING GUIDE - STERILE	6
4	XMS01042	CUTTING GUIDE FRAME	1
5	XMS01045	CENTERING DEVICE	1
6	XTI09110	ANTERIOR MINI TRIAL PLATE RIGHT	1
6	XTI09210	ANTERIOR MINI TRIAL PLATE LEFT	1
7	XTI09140	ANTERIOR MEDIUM TRIAL PLATE RIGHT	1
7	XTI09240	ANTERIOR MEDIUM TRIAL PLATE LEFT	1
8	XMS01048	PROXIMAL PLATE BENDER	1
8	XMS01049	DISTAL PLATE BENDER	1
9	XPP01006	SPHERIC POSITIONING PIN	2
10	XDG01025	LOCKING DRILL GUIDE FOR SCREW Ø 4 AND Ø 4.7	3
11	XDG01026	OBLONG DRILL GUIDE FOR SCREW Ø 4 AND Ø 4.7	1
12	XDG01031	POLYAXIAL DRILL GUIDE FOR SCREW Ø4	1
13	XDG01032	POLYAXIAL DRILL GUIDE FOR SCREW Ø4.7	1
14	XDB01026	DRILL BIT Ø 2.8	3
15	XDB01027	DRILL BIT Ø 3.6	3
16	XGA01012	DEPTH GAUGE	1
17	XHA01002	AO RATCHET HANDLE	1
18	XSD08001	T15 AO SCREWDRIVER TIP	2
19	XDG01038	TIBIO-TALAR QUICK DRILL - RIGHT	1
20	XDG01039	TIBIO-TALAR QUICK DRILL - LEFT	1
21	XMS01022-4	DRILL GUIDE - NEXIS® Ø 7	1

### NEXIS® Ø7 INSTRUMENTATION

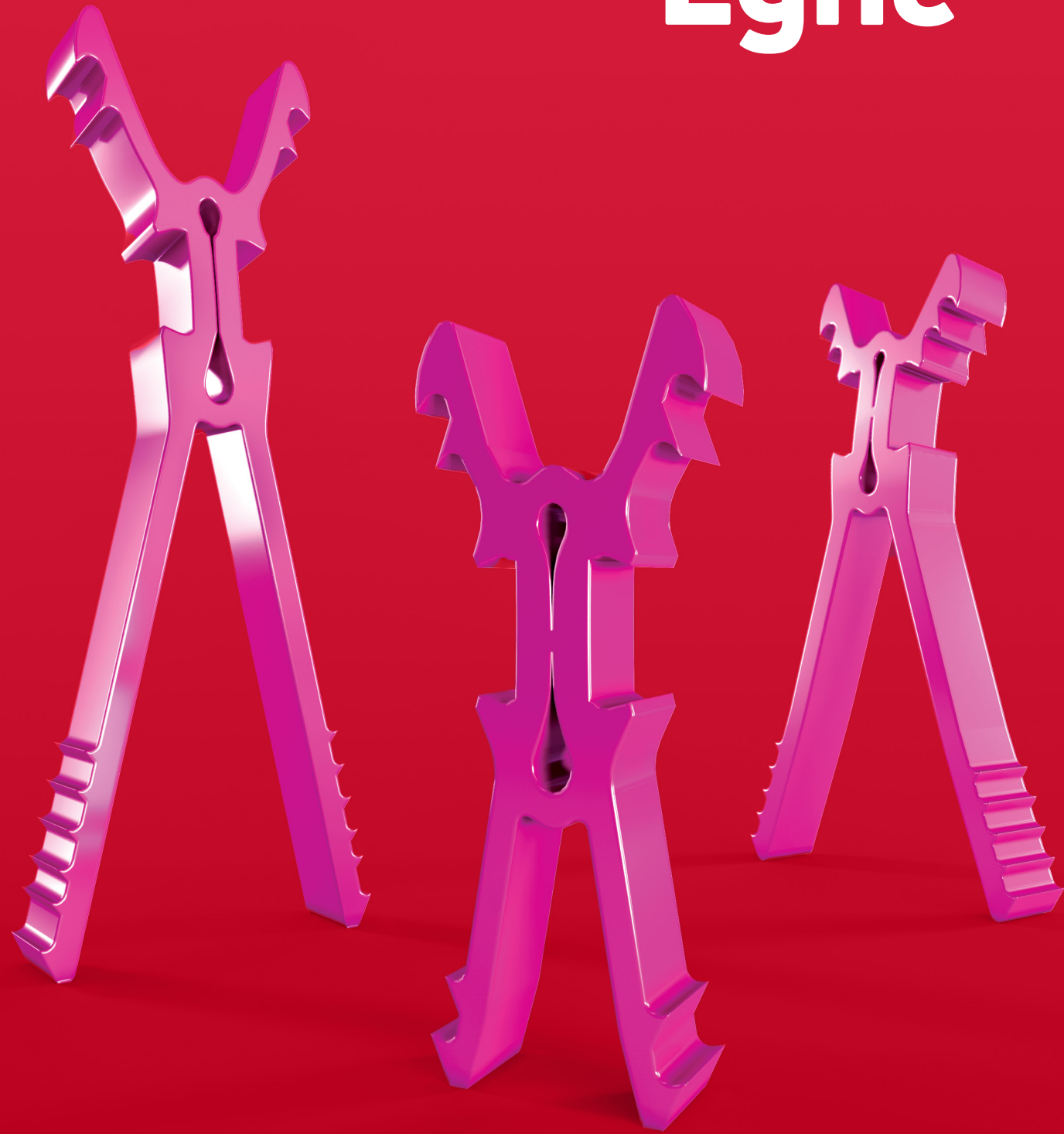
NO.	PART NO.	DESCRIPTION	QTY
-	ACC1022P0002	UPPER TRAY	1
1	XKW01003	CLEANING PIN Ø 1.6	1
2	ACC1000P0003	LONG K-WIRE TUBE	1
-	SKW05004	K-WIRE Ø 2.5 LG 140 TR/RD - STERILE	3
-	-	K-WIRE Ø 2.2 LG 200 TR/RD <sup>(1)</sup>	5
3	XDG01016	DOUBLE DRILL GUIDE FOR SCREW Ø 7	1
4	XDB01010	CANNULATED DRILL GUIDE Ø 4.8	1
5	XGA01007	RULER LG 180/200	1
6	XSD06003	T25 LARGE AO SCREWDRIVER TIP	1
7	XRE01009	COUNTERSINK Ø 6	1
8	XSD06002	SOLID T25 LARGE AO SCREWDRIVER TIP	1
9	XHA01006	ADAPTOR AO - 1/4 HEX	1
10	XFP01008	OPEN ARMS DISTRACTOR	1
11	XHA01004	LARGE AO T HANDLE RATCHET	1
12	XHA01003	LARGE AO STRAIGHT HANDLE	1

### SAW BLADES

NO.	PART NO.	DESCRIPTION	QTY
-	71.34.0751 <sup>(2)</sup>	STERILE SAW BLADE - STRYKER CONNECTOR	2
-	71.34.0095 <sup>(2)</sup>	STERILE SAW BLADE 100 X 17 X1.27 - SYNTHES CONNECTOR	2

<sup>(1)</sup> K-wire supplied separately. Medetech® K-wire (33-T10-R-22-200) or Novastep® K-wire (CKW01011) available depending on your market.  
<sup>(2)</sup> Saw blade supplied separately.

# Lync®



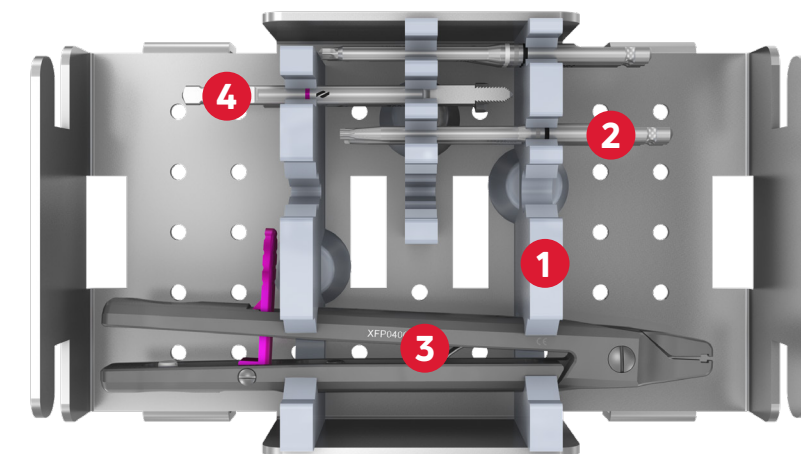
## Lync® Hammertoe Correction

The Lync® intramedullary implant is intended for arthrodesis of the phalanges in the proximal and distal interphalangeal joint of the foot. It is particularly recommended for the treatment of hammertoes. Its anti rotation design reduce the risks of rotation. Its expansion capacity and the notched grooves allow effective intraoperative anchorage to prevent migration and pullout.

### IMPLANTS

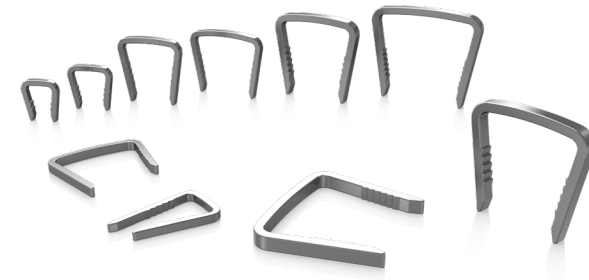
PART #	DESCRIPTION
CM010030	LYNC® - S0
CM010031	LYNC® - S10
CM010010	LYNC® - M0
CM010011	LYNC® - M10
CM010040	LYNC® - DIP

## Lync® Module (XTR00005)



NO.	PART NO.	DESCRIPTION	QTY
1	ACC1001P0004	MODULE	1
2	XFP04001	FORCEPS	1
3	XDB01003	DRILL BIT Ø2.3	1
4	XRE01002	SURFACING REAMER	1
5	XRA01002	RASP	1

# Arcad®



## Arcad® Osteosynthesis Compressive Staples

Made of Nitinol, osteosynthesis compressive staples are indicated for the correction of bone deformities (Hallux valgus, Lesser ray deformities, Hammertoe deformity, Coalitions, Rheumatoid foot deformity, Cavovarus foot, Flatfoot), and treatment of foot joint stiffness (Hallux rigidus, Foot arthritis).

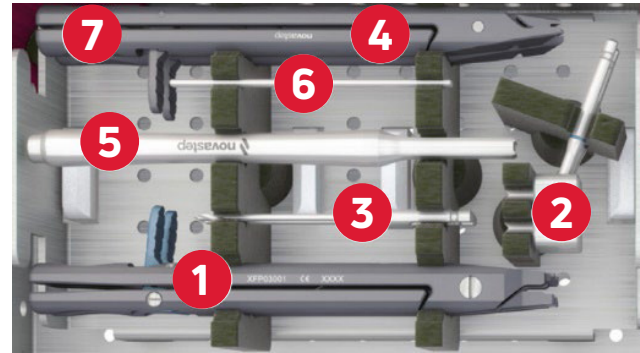
Designed to facilitate fast and easy fixation, memory metal staples provide dynamic compression at the osteotomy and arthrodesis site.

### IMPLANTS

PART #	DESCRIPTION	BRIDGE WIDTH (MM)	LEG LENGTH (MM)	WIRE DIMENSION (MM)
CS020808	08-08-08	8	8-8	1.2 x 1.5
CS010909	10-09-09	10	9-9	1.2 x 1.5
CS011214	10-12-14	10	12-14	1.2 x 1.5
CS011416	10-14-16	10	14-16	1.2 x 1.5
CS011518	10-15-18	10	15-18	1.2 x 1.5
CS031212	10-12-12	15	12-12	1.3 x 1.8
CS031414	15-14-14	15	14-14	1.3 x 1.8
CS041212	18-12-12	18	12-12	1.3 x 1.8
CS041414	18-14-14	18	14-14	1.3 x 1.8
CS041416	18-14-16	18	14-16	1.3 x 1.8
CS041618	18-16-18	18	16-18	1.3 x 1.8
CS041818	18-18-18	18	18-18	1.3 x 1.8
CS051818	20-18-18	20	18-18	2.5 x 1.6
CS062020	25-20-20	25	20-20	2.5 x 1.6

## Arcad® 10 Module

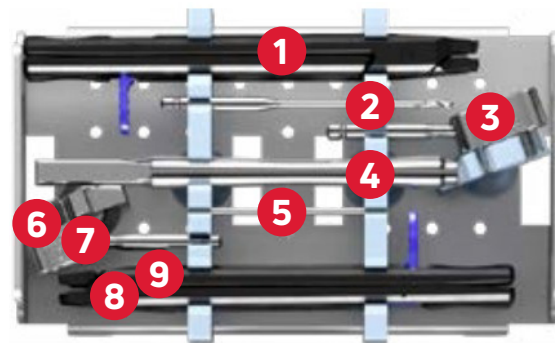
Can be added in ForefootExact or ForefootCOMPLETE trays.



NO.	PART NO.	DESCRIPTION	QTY
-	ACC1001P0003	MODULE	1
1	XFP03001	FORCEPS - ARCAD® 10	1
2	XDG01001	DRILL GUIDE - ARCAD® 10	1
3	XDB01008	DRILL BIT Ø2	1
4	XFP02001	ANGLED STAPLES FORCEPS	1
5	XMS01002	IMPACTOR	1
6	XPP01001	POSITIONING PIN Ø2	2
7	XFP05001	STRAIGHT STAPLES FORCEPS	1

## Arcad® 8/10/15/18 Module

Can be added in ForefootExact or ForefootCOMPLETE trays.

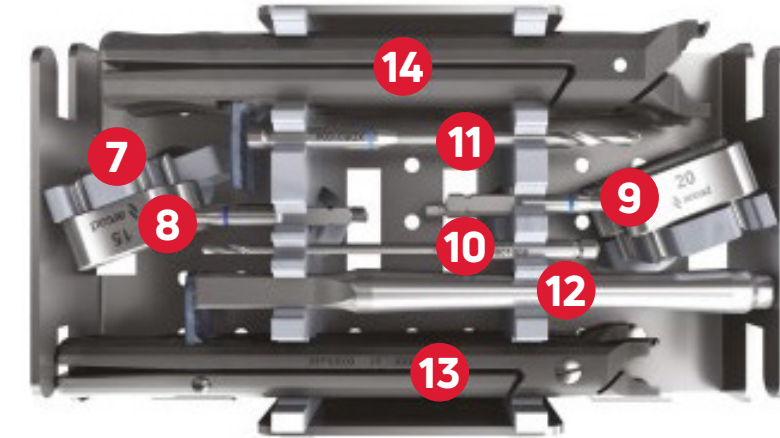


NO.	PART NO.	DESCRIPTION	QTY
-	ACC1005P0006	MODULE	1
1	XFP03003	FORCEPS - ARCAD® 15	1
2	XFP0300	FORCEPS - ARCAD® 18	1
3	XDB01002D*	SINGLE-USE DRILL BIT Ø2	2
4	XDG01003	DRILL GUIDE - ARCAD® 15	1
5	XDG0100	DRILL GUIDE - ARCAD® 18	1

NO.	PART NO.	DESCRIPTION	QTY
6	XMS01002	IMPACTOR	1
7	XPP01001	POSITIONING PIN Ø2	2
8	XDG01002	DRILL GUIDE - ARCAD® 8	1
9	XDG01001	DRILL GUIDE - ARCAD® 10	1
10	XFP03002	FORCEPS - ARCAD® 8	1
11	XFP03001	FORCEPS - ARCAD® 10	1

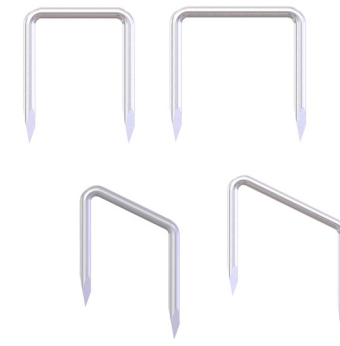
## Arcad® 15/18/20/25 Module

Can be added in Rearfoot Tray.



NO.	PART NO.	DESCRIPTION	QTY
7	ACC1005P0007	MODULE	1
8	XDG01003	DRILL GUIDE - ARCAD® 15	1
8	XDG01004	DRILL GUIDE - ARCAD® 18	1
9	XDG01005	DRILL GUIDE - ARCAD® 20	1
9	XDG01006	DRILL GUIDE - ARCAD® 25	1
10	XPP01001	POSITIONING PIN Ø2	2
11	XPP01002	POSITIONING PIN Ø3	2
12	XMS01002	IMPACTOR	1
10	XDB01008	DRILL BIT Ø2	1
11	XDB01004	DRILL BIT Ø3	1
13	XFP03003	FORCEPS - ARCAD® 15	1
13	XFP03004	FORCEPS - ARCAD® 18	1
14	XFP03005	FORCEPS - ARCAD® 20	1
14	XFP03006	FORCEPS - ARCAD® 25	1

# Static Staples



## Static Staple Systems

Our range of static, stainless-steel staples provide stabilization during varisation osteotomies of the hallux valgus.

### IMPLANTS

PART #	DESCRIPTION
FS010008	26° - 8MM
FS010010	26° - 10MM
FS010108	90° - 8MM
FS010110	90° - 10MM

### INSTRUMENTATION

PART #	DESCRIPTION
XFP02001	ANGLED STAPLES FORCEPS
XMS01002	IMPACTOR
XFP05001	STRAIGHT STAPLES FORCEPS

# Other Products

## K-Wires

Orthopedic k-wires allow the fixation of the correction after arthrodesis or osteotomy as well as a precise positioning of the cannulated screws and implants. They can also be used in combination with the cannulated instruments necessary for the surgical procedure (countersink, drill, screwdriver, etc.).

Ø	LENGTH	PART #	EQUIVALENT PART #S	DESCRIPTION	MATERIAL
Ø0.9	80	CKW01009	33-T10-R-09-080	K-WIRE Ø0.9 LG80 TR/RD	STAINLESS STEEL
Ø0.9	80	CKW01018	33-T10-T10-09-080	K-WIRE Ø0.9 LG80 TR/TR	STAINLESS STEEL
Ø0.9	80	CKW02001	-	K-WIRE Ø0.9 LG80 TR/RD CRCO	CRCO
Ø0.9	80	CKW02002	-	K-WIRE Ø0.9 LG80 TR/TR CRCO	CRCO
Ø0.9	100	CKW01001	-	K-WIRE Ø0.9 LG100 TR/TR	STAINLESS STEEL
Ø0.9	100	CKW01008	33-T10-R-09-100	K-WIRE Ø0.9 LG100 TR/RD	STAINLESS STEEL
Ø1.0	80	CKW01016	33-T10-R-10-080	K-WIRE Ø1 LG80 TR/RD	STAINLESS STEEL
Ø1.0	150	CKW02004	-	K-WIRE Ø1 LG150 TR/RD CRCO	CRCO
Ø1.2	80	CKW01017	33-T10-R-12-080	K-WIRE Ø1.2 LG80 TR/RD	STAINLESS STEEL
Ø1.2	80	CKW02008	-	K-WIRE Ø1.2 LG80 TR/RD CRCO	CRCO
Ø1.2	100	CKW02007	-	K-WIRE Ø1.2 LG100 TR/RD CRCO	CRCO
Ø1.2	100	CKW01014	33-T10-R-12-100	K-WIRE Ø1.2 LG100 TR/RD	STAINLESS STEEL
Ø1.2	150	CKW01015	33-T10-R-12-150	K-WIRE Ø1.2 LG150 TR/RD	STAINLESS STEEL
Ø1.4	100	CKW01002	33-T10-R-14-100	K-WIRE Ø1.4 LG100 TR/RD	STAINLESS STEEL
Ø1.4	100	CKW02006	-	K-WIRE Ø1.4 LG100TR/RD CRCO	CRCO
Ø1.4	150	CKW01010	33-T10-R-14-150	K-WIRE Ø1.4 LG150 TR/RD	STAINLESS STEEL
Ø1.4	150	CKW02005	-	K-WIRE Ø1.4 LG150 TR/RD CRCO	CRCO
Ø1.4	150	CKW07001	-	THREADED K-WIRE Ø1.4 LG150 TR/TR CRCO	CRCO
Ø1.6	140	CKW05003	-	THREADED K-WIRE Ø1.6 LG140	STAINLESS STEEL
Ø1.6	140	SKW05003	-	THREADED K-WIRE Ø1.6 LG140 - STERILE	STAINLESS STEEL
Ø1.6	150	CKW01003	33-T10-R-16-150	K-WIRE Ø1.6 LG150 TR/RD	STAINLESS STEEL
Ø1.6	180	CKW01004	33-T10-R-16-180	K-WIRE Ø1.6 LG180 TR/RD	STAINLESS STEEL
Ø1.8	140	CKW01022	-	K-WIRE Ø1.8 LG140 TR/RD	STAINLESS STEEL
Ø2.0	100	CKW01012	33-T10-R-20-100	K-WIRE Ø2 LG100 TR/RD	STAINLESS STEEL
Ø2.0	150	CKW01013	33-T10-R-20-150	K-WIRE Ø2 LG150 TR/RD	STAINLESS STEEL
Ø2.0	200	CKW01007	33-T10-R-20-200	K-WIRE Ø2 LG200 TR/RD	STAINLESS STEEL
Ø2.2	70	CKW05006	-	THREADED K-WIRE Ø2.2 LG70 TR/RD	STAINLESS STEEL
Ø2.2	70	SKW05006	-	THREADED K-WIRE Ø2.2 LG70 TR/RD - STERILE	STAINLESS STEEL
Ø2.2	200	CKW01011	-	K-WIRE Ø2.2 LG200 TR/RD	STAINLESS STEEL
Ø2.5	80	CKW04001	-	THREADED K-WIRE Ø2.5 LG80	STAINLESS STEEL
Ø2.5	80	SKW04001	-	THREADED K-WIRE Ø2.5 LG80 - STERILE	STAINLESS STEEL
Ø2.5	128	CKW06002	-	TRACTION WIRE Ø2.5 LG 128	STAINLESS STEEL
Ø2.5	128	SKW06002	-	STERILE TRACTION WIRE Ø2.5 LG 128	STAINLESS STEEL
Ø2.5	140	CKW05004	-	THREADED K-WIRE Ø2.5 LG140	STAINLESS STEEL
Ø2.5	140	SKW05004	-	THREADED K-WIRE Ø2.5 LG140 - STERILE	STAINLESS STEEL
Ø2.5	200	CKW01005	33-T10-R-25-200	K-WIRE Ø2.5 LG200 TR/RD	STAINLESS STEEL
Ø5.0	200	CKW03002	-	REDUCTION WIRE	STAINLESS STEEL

## Implant Dispenser

The ergonomic implant dispenser is designed to maximize the total number of implants available with minimum usage of space in the operating room. The implant dispenser is customizable with multiple combinations for each product range.

Available with 2 or 4 trays, in standard or high version, the implant dispenser allows the storage of 44 implants in size S boxes or 22 implants in size M boxes.



## Single Use Instrumentation Kit

Single Use instrumentation is available for immediate use to allow you to operate at any time in the best conditions. It can also be a backup solution in the case of faulty or non-sterile equipment.

PART #	DESCRIPTION
SUI01001	NEXIS® Ø2 TO Ø2.9 - SINGLE-USE INSTRUMENTATION
SUI01002	NEXIS® Ø4 - SINGLE USE INSTRUMENTATION
SUI02001	AIRLOCK® - SINGLE USE INSTRUMENTATION (NOT PRESSLOCK® TECHNOLOGY)
XDB01001D	SINGLE-USE CANNULATED DRILL BIT Ø1.75
XDB01002D	SINGLE-USE DRILL BIT Ø2
XDB01003D	SINGLE-USE DRILL BIT Ø2.3
XDB01004D	SINGLE-USE DRILL BIT Ø3
XDB01007D	SINGLE-USE CANNULATED DRILL BIT Ø2.7
XDB01009D	SINGLE-USE CANNULATED DRILL BIT Ø3.2
XDB01010D	SINGLE-USE CANNULATED DRILL BIT Ø4.8
XDB01017D	SINGLE-USE DRILL BIT Ø2
XDB01018D	SINGLE-USE DRILL BIT Ø3.2
XDB01019D	SINGLE-USE DRILL BIT Ø1.5
XDB01020D	SINGLE-USE DRILL BIT Ø1.8
XDB01021D	SINGLE-USE DRILL BIT Ø2
XDB01022D	SINGLE-USE DRILL BIT Ø2.5
XPP01003D	SPHERIC POSITIONING PIN SINGLE-USE
XPP01005D	SPHERIC POSITIONING PIN SINGLE-USE
XRE01001D	SINGLE-USE COUNTERSINK Ø2.75
XRE01026D	SINGLE-USE COUNTERSINK Ø3.7

## Optional Instrumentation

### STEPPED DRILL BIT

2 in 1 Nexis® instrumentation: countersink and drill bit (stainless steel)

PART #	DESCRIPTION
XDB02005	SOLID DRILL BIT WITH COUNTERSINK Ø1.85 LG 18
XDB02006	SOLID DRILL BIT WITH COUNTERSINK Ø1.85 LG 23
XDB02007	SOLID DRILL BIT WITH COUNTERSINK Ø1.85 LG 28
XDB01011	CANNULATED DRILL BIT WITH COUNTERSINK Ø1.85 LG 27
XDB01012	CANNULATED DRILL BIT WITH COUNTERSINK Ø1.85 LG 31
XDB01014	CANNULATED DRILL BIT WITH COUNTERSINK Ø1.8 LG 12
XDB01015	CANNULATED DRILL BIT WITH COUNTERSINK Ø1.8 LG 17
XDB01016	CANNULATED DRILL BIT WITH COUNTERSINK Ø1.8 LG 23
XDB01009D	SINGLE-USE CANNULATED DRILL BIT Ø3.2
XDB01010D	SINGLE-USE CANNULATED DRILL BIT Ø4.8
XDB01017D	SINGLE-USE DRILL BIT Ø2
XDB01018D	SINGLE-USE DRILL BIT Ø3.2
XDB01019D	SINGLE-USE DRILL BIT Ø1.5
XDB01020D	SINGLE-USE DRILL BIT Ø1.8
XDB01021D	SINGLE-USE DRILL BIT Ø2
XDB01022D	SINGLE-USE DRILL BIT Ø2.5
XPP01003D	SPHERIC POSITIONING PIN SINGLE-USE
XPP01005D	SPHERIC POSITIONING PIN SINGLE-USE
XRE01001D	SINGLE-USE COUNTERSINK Ø2.75
XRE01026D	SINGLE-USE COUNTERSINK Ø3.7

### EXTRACTION KIT

Hexagonal and Hexalobular screwdriver set for ablation.

PART #	DESCRIPTION
XSD07001	AO HEXAGONAL SCREWDRIVER TIP 1.8
XSD07002	AO HEXAGONAL SCREWDRIVER TIP 2.0
XSD01001	AO HEXALOBULAR SCREWDRIVER TIP T7
XSD02001	AO HEXALOBULAR SCREWDRIVER TIP T8

### MISCELLANEOUS

PART #	DESCRIPTION
XSD01002	T7 AO SCREWDRIVER TIP – NOT SELF-RETAINING



**ENOVIS™ - NOVATEP® SAS**

**P + 33 (0) 2 99 33 86 50 | F + 33 (0) 9 70 29 18 95**

**2, Allée Jacques Frimot | 35000 RENNES**

**[contact-intfa@enovis.com](mailto:contact-intfa@enovis.com)**

**[www.int.novastep.life](http://www.int.novastep.life)**

Reference: Mul-C01-Ed5-05-26-EN

Please Note: Carefully read the enclosed Instruction For Use (IFU) and all packaging label information.

Devices: Implants: Class IIb-CE1639 / Instruments: Class I / Class Ir-CE1639 / Class IIa-CE1639.